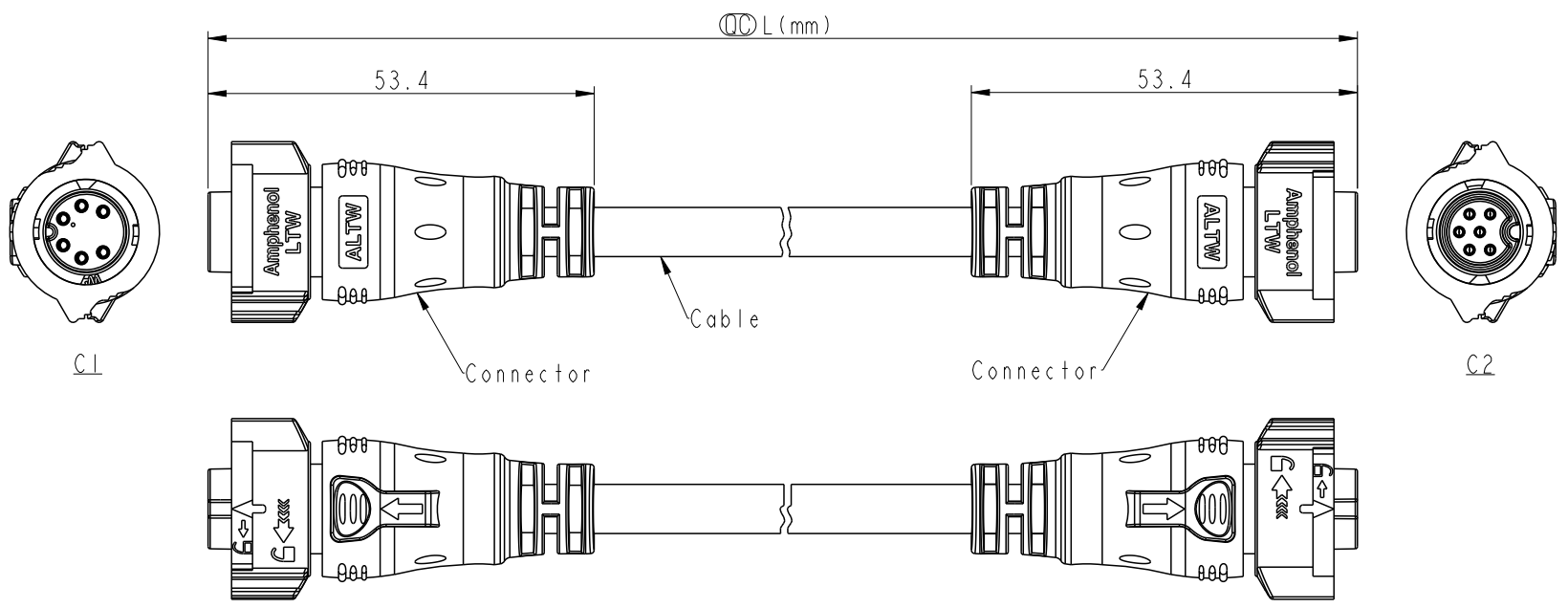


REV.	ECN NO.	DATE	SIGN	DESCRIPTION
A		2020/01/20	Vicky	Initial Released
B	C200696	2020/05/19	Angel Chou	$\triangle B \times I$



- Note:
- * CC Important Dimension
 - * Waterproof Rate: IP68, Mated
IP68: 1M depth of water in 24hours
 - * Connector: Thermoplastic, Black
 - * Pin: Copper Alloy, Gold Plated
 - * Cable: UL21388, PVC Jacket, Black
 - * Cable Length Tolerance: 0.5M: +60/-0mm
01M: +60/-0mm
02~03M: +120/-0mm
04~05M: +160/-0mm
06~10M: ± 100 mm
11~20M: ± 200 mm
21~30M: ± 300 mm
31~99M: ± 500 mm

UNIT: mm

TOLERANCE ± 0.5 mm

TITLE ACC, XLOK, B-5A, DB-ENDED FF			
SCALE 1:2	SIZE A4	SHEET 1 OF 2	
REV. B	WC-REV. A.5	CC : Inspection item	

Amphenol LTW
安費諾亮泰企業股份有限公司

ITEM NO.	DRAWN BY Vicky	DATE 2020-01-20
DWG NO. AB-BDXXFL-BDBL-QDXXX	CHECKED BY Rita	DATE 2020-01-20
CUSTOMER ALTW	APPROVED BY Max	DATE 2020-01-20

THIS DOCUMENT IS SUBJECT TO CHANGE WITHOUT NOTICE. IT IS CONFIDENTIAL AND A PROPERTY OF Amphenol LTW. DISCLOSURE TO THIRD PARTY HAS TO BE AUTHORIZED BY Amphenol LTW.

THIS DOCUMENT IS SUBJECT TO CHANGE WITHOUT NOTICE. IT IS CONFIDENTIAL AND A PROPERTY OF Amphenol LTW. DISCLOSURE TO THIRD PARTY HAS TO BE AUTHORIZED BY Amphenol LTW.

6P	PVC	6.8	20	AB-BD06FL-BDBL-QDXXX
5P		6.2		AB-BD05FL-BDBL-QDXXX
4P		6.0		AB-BD04FL-BDBL-QDXXX
3P		5.5		AB-BD03FL-BDBL-QDXXX
2P		5.5		AB-BD02FL-BDBL-QDXXX
Contacts	Cable Jacket	Cable OD	AWG	Item No.

AB-BD XX FL-BDBL-QD XXX

02: 2Pin
 03: 3Pin
 04: 4Pin
 05: 5Pin
 06: 6Pin

XXX: 0.5~99Meters
 A05: 0.5 Meter
 001: 01 Meter
 002: 02 Meters
 :
 099: 99 Meters

Pin Out	2	3	4	5	6
	2 Brown 1 Black	3 Red 2 Brown 1 Black	4 Orange 3 Red 2 Brown 1 Black	5 Yellow 4 Orange 3 Red 2 Brown 1 Black	6 Green 5 Yellow 4 Orange 3 Red 2 Brown 1 Black
	Pin # Wire	Pin # Wire	Pin # Wire	Pin # Wire	Pin # Wire
C2					
	2P	3P	4P	5P	6P
C1					
	2P	3P	4P	5P	6P

Pin Assignments Front View

UNIT: mm

TOLERANCE ±0.5mm

TITLE ACC, XLOK, B-5A, DB-ENDED FF

SCALE 1:2 SIZE A4 SHEET 2 OF 2

REV. B WC-REV. A.5 Inspection item

Amphenol LTW
 安費諾亮泰企業股份有限公司

ITEM NO	DRAWN BY Vicky	DATE 2020-01-20
DWG NO AB-BDXXFL-BDBL-QDXXX	CHECKED BY Rita	DATE 2020-01-20
CUSTOMER ALTW	APPROVED BY Max	DATE 2020-01-20