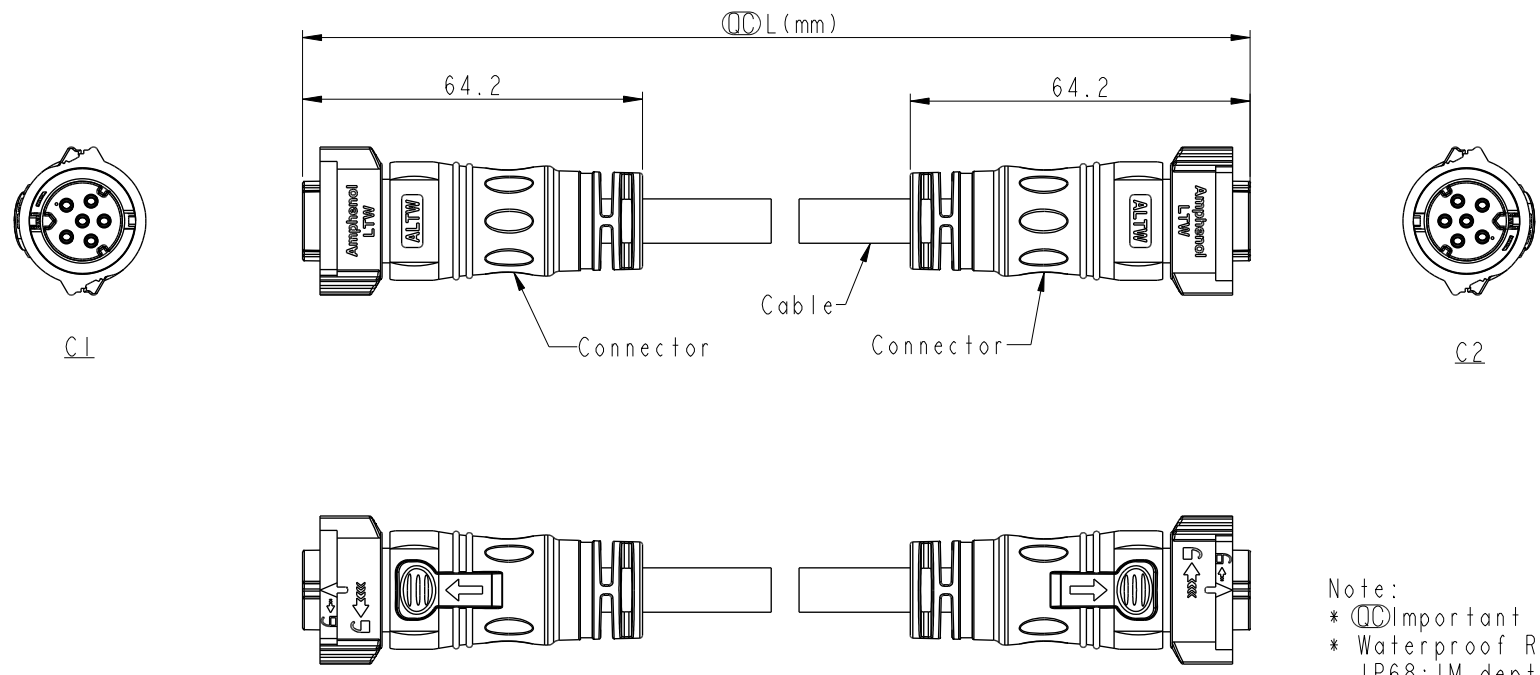


THIS DOCUMENT IS SUBJECT TO CHANGE WITHOUT NOTICE. IT IS CONFIDENTIAL AND A PROPERTY OF Amphenol LTW. DISCLOSURE TO THIRD PARTY HAS TO BE AUTHORIZED BY Amphenol LTW.

REV.	ECN NO.	DATE	SIGN	DESCRIPTION
A		2020/01/02	Ruru	Initial Released



- Note:
- \*  $\varnothing$  Important Dimension.
  - \* Waterproof Rate: IP68, Mated.  
IP68: 1M depth of water in 24 hours.
  - \* Connector: Thermoplastic, Black
  - \* Pin: Copper Alloy, Gold Plated.
  - \* Cable: UL21388, PVC Jacket, Black.
  - \* Cable Length Tolerance: 0.5M: +60/-0mm  
01M: +60/-0mm  
02~03M: +120/-0mm  
04~05M: +160/-0mm  
06~10M: ±100mm  
11~20M: ±200mm  
21~30M: ±300mm  
31~99M: ±500mm

UNIT: mm		
TOLERANCE	±0.5 mm	

TITLE ACC, XLOK, C-10A, DB-ENDED FF		
SCALE 1:2	SIZE A4	SHEET 1 OF 2
REV. A	WC-REV.	$\varnothing$ : Inspection item

**Amphenol LTW**  
安費諾亮泰企業股份有限公司

ITEM NO.	DRAWN BY Ruru	DATE 2020-01-02
DWG NO. AB-CBXXFL-CBFL-QDXXX	CHECKED BY Rita	DATE 2020-01-02
CUSTOMER ALTW	APPROVED BY Max	DATE 2020-01-02

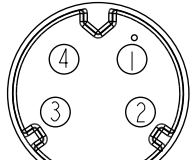
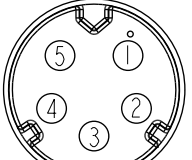
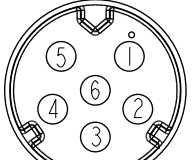
THIS DOCUMENT IS SUBJECT TO CHANGE WITHOUT NOTICE. IT IS CONFIDENTIAL AND A PROPERTY OF Amphenol LTW. DISCLOSURE TO THIRD PARTY HAS TO BE AUTHORIZED BY Amphenol LTW.

6P	PVC	8.4	16	AB-CB06FL-CBFL-QDXXX
5P		7.6		AB-CB05FL-CBFL-QDXXX
4P		6.8		AB-CB04FL-CBFL-QDXXX
Contacts	Cable Jacket	Cable OD	AWG	Item No.

AB- CB XX FL - CB FL - Q D XXX

04: 4Pin  
05: 5Pin  
06: 6Pin

XXX: 0.5~99Meters  
A05: 0.5 Meter  
001: 01 Meter  
002: 02 Meters  
:  
099: 99 Meters

Pin Out	4 Orange 橙 3 Red 紅 2 Brown 棕 1 Black 黑	5 Yellow 黃 4 Orange 橙 3 Red 紅 2 Brown 棕 1 Black 黑	6 Green 綠 5 Yellow 黃 4 Orange 橙 3 Red 紅 2 Brown 棕 1 Black 黑
	Pin # Wire	Pin # Wire	Pin # Wire
CI & C2			
	4P	5P	6P
Pin Assignments Front View			

UNIT:mm	
TOLERANCE	± 0.5 mm

TITLE ACC, XLOK, C-10A, DB-ENDED FF			
SCALE 1:2	SIZE A4	SHEET 2 OF 2	
REV. A	WC-REV.	QC: Inspection item	

Amphenol LTW

安費諾亮泰企業股份有限公司

ITEM NO	DRAWN BY Ruru	DATE 2020-01-02
DWG NO AB-CBXXFL-CBFL-QDXXX	CHECKED BY Rita	DATE 2020-01-02
CUSTOMER ALTW	APPROVED BY Max	DATE 2020-01-02