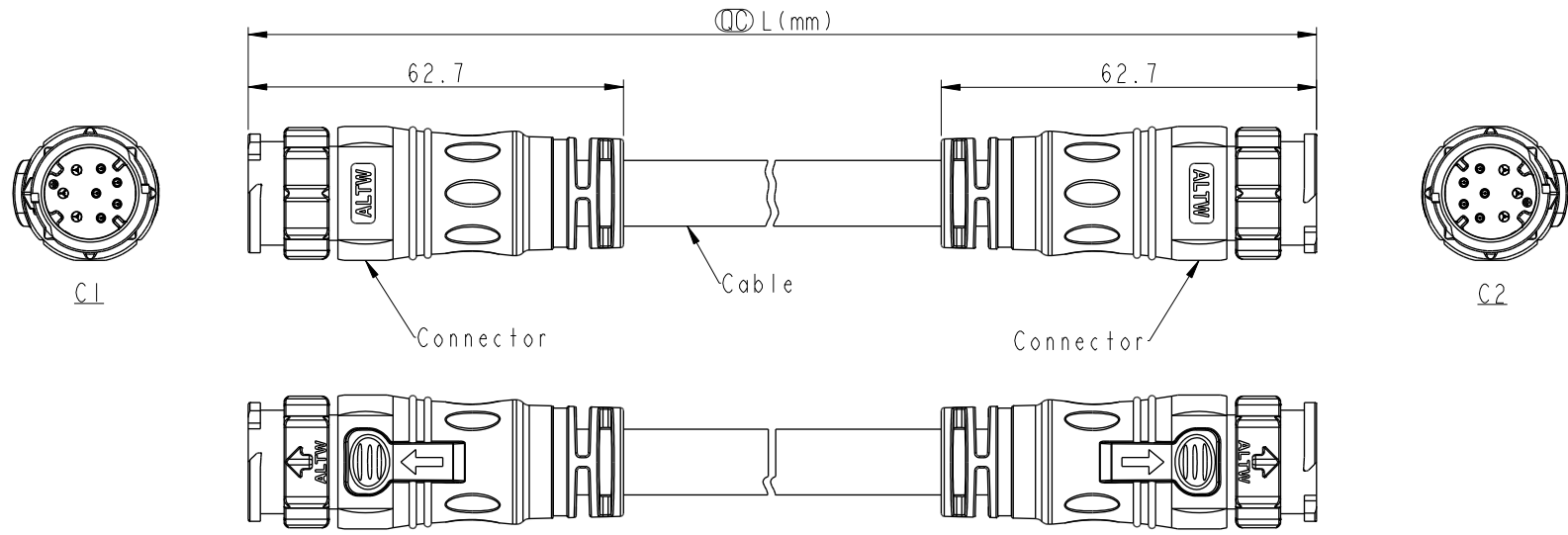


THIS DOCUMENT IS SUBJECT TO CHANGE WITHOUT NOTICE. IT IS CONFIDENTIAL AND A PROPERTY OF Amphenol LTW. DISCLOSURE TO THIRD PARTY HAS TO BE AUTHORIZED BY Amphenol LTW.

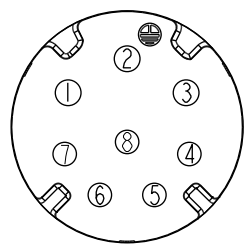
| | | | | |
|------|---------|------------|-------|------------------|
| REV. | ECN NO. | DATE | SIGN | DESCRIPTION |
| A | | 2020/02/03 | Vicky | Initial Released |
| | | | | |



AB-CBD XX ML-CBDML-QF XXX
 08: 8Pin

XXX: 0.5~99Meters
 A05: 0.5 Meter
 001: 01 Meter
 002: 02 Meters
 :
 099: 99 Meters

Note:
 * \varnothing Important Dimension
 * Waterproof Rate: IP68, Mated
 IP68: 1M depth of water in 24hours
 * Connector: Thermoplastic, Black
 * Pin: Copper Alloy, Gold Plated
 * Cable: UL21996, 16#*3C+(26#*2P+D+AL/MY)+AL/MY, PVC Jacket, Black, OD11.0mm
 * Cable Length Tolerance: 0.5M: +60/-0mm
 01M: +60/-0mm
 02~03M: +120/-0mm
 04~05M: +160/-0mm
 06~10M: ±100mm
 11~20M: ±200mm
 21~30M: ±300mm
 31~99M: ±500mm



C1 & C2
 Pin Assignments
 Front View

| | | | |
|---------|---------------|----|-------------|
| 8 | Drain (26AWG) | 地線 | Twist 對線 |
| 7 | Blue (26AWG) | 藍 | |
| 6 | Red (26AWG) | 紅 | Twist 對線 |
| 5 | Green (26AWG) | 綠 | |
| 4 | White (26AWG) | 白 | |
| 3 | Black (16AWG) | 黑 | |
| 2 | Green (16AWG) | 綠 | |
| 1 | White (16AWG) | 白 | |
| C1 & C2 | Wire Color | | |
| Pin Out | | | |

| | | |
|-----------|---------------|--|
| UNIT:mm | \varnothing | |
| TOLERANCE | ±0.5mm | |

| | | |
|--|----------------|---------------------------------|
| TITLE ACC, XLOK, C-10A+5A, DB-ENDED MM | | |
| SCALE 33:100 | SIZE A4 | SHEET 1 OF 1 |
| REV. A | WC-REV. A.5 | \varnothing : Inspection item |

Amphenol LTW
 安費諾亮泰企業股份有限公司

| | | |
|----------------------------------|--------------------|--------------------|
| ITEM NO | DRAWN BY Vicky | DATE 2020-02-03 |
| DWG NO AB-CBDXXML-CBDML-QFXXX | CHECKED BY Rita | DATE 2020-02-03 |
| CUSTOMER ALTW | APPROVED BY Max | DATE 2020-02-03 |