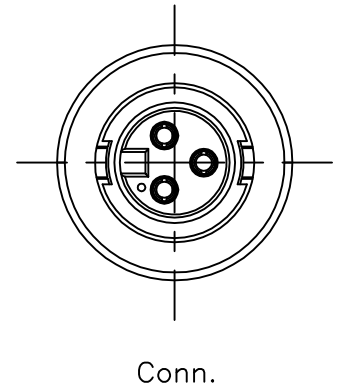
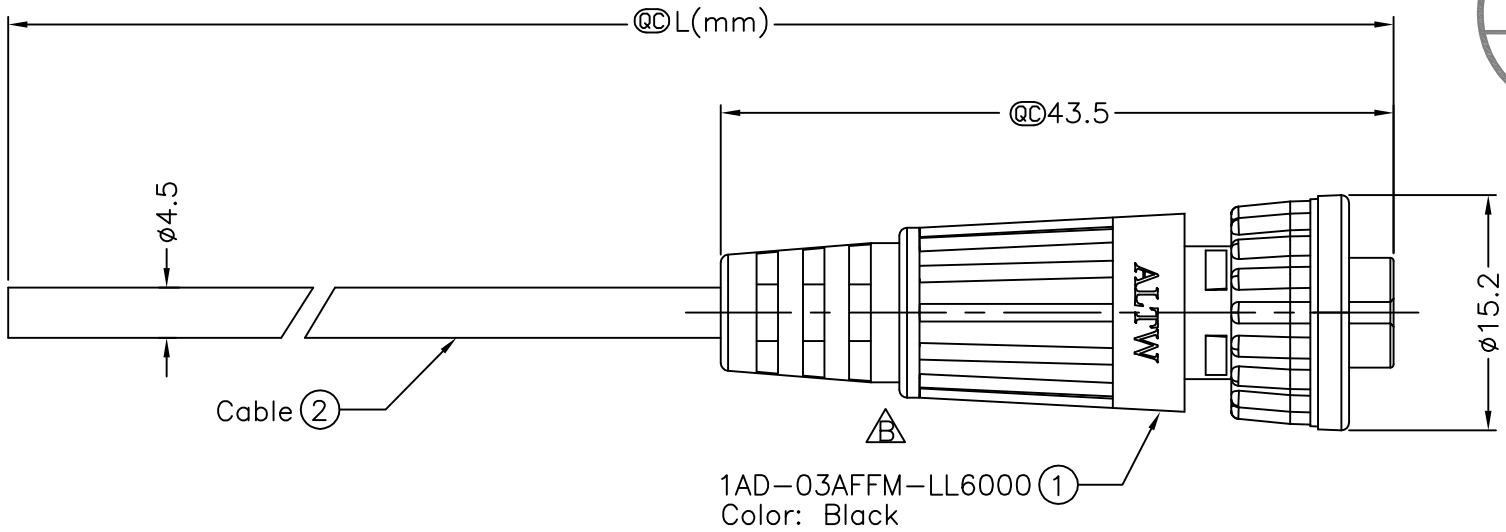
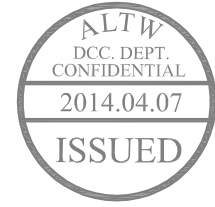


5	6	7	8
REV. B	ECN NO. LEN1430415	DATE 2014/03/10	SIGN Ruru
			DESCRIPTION Change the Appearance

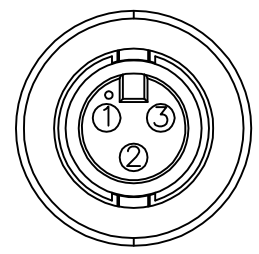


1AD-03AFFM-LL6AXX

XX :01~99Meters
 01 :01Meter
 02 :02Meters
 ...
 99 :99Meters

Cable Length(L):01~99Meters

- Note :
- * @C Important Dimension To Check.
 - * Waterproof Rate: IP66
 - * Housing: Nylon+GF, Black.
 - * Female Pin: Copper Alloy, Gold Plated.
 - * Cable: UL2464 24AWG*3C+D+AL/Wy
PVC Jacket UV Resistant, OD=4.5, Black
 - * Cable Length Tolerance: 01M:40mm
 02M~05M: 60mm
 06M~10M: 100mm
 11M~30M: 200mm
 31M~99M: 500mm



Pin Assignments Front View

3	Black	黑
2	Blue	藍
1	Brown	棕
Conn.	Wire Color	
Pin Out		

UNIT:mm	
TOLERANCE	±0.5 mm

TITLE		MINI CNC PIN	
SCALE		Free	
REV. B	SIZE A4	SHEET 1	OF 1
		@C :Inspection Item	

Amphenol LTW
 安費諾亮泰企業股份有限公司

ITEM NO	DRAWN BY Ruru	DATE 2014/03/10
DWG NO 1AD-03AFFM-LL6AXX	CHECKED BY Tony	DATE 2014/03/10
CUSTOMER ALTW	APPROVED BY Victor	DATE 2014/03/10

THIS DOCUMENT IS SUBJECT TO CHANGE WITHOUT NOTICE. IT IS CONFIDENTIAL AND A PROPERTY OF Amphenol LTW. DISCLOSURE TO THIRD PARTY HAS TO BE AUTHORIZED BY Amphenol LTW.

F
F
D
C
B
A

1 2 3 4 5 6 7 8