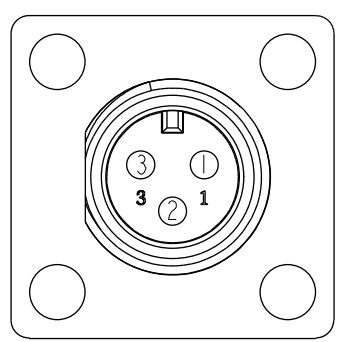
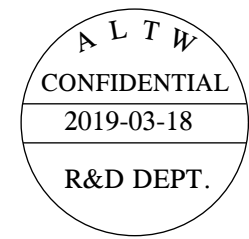
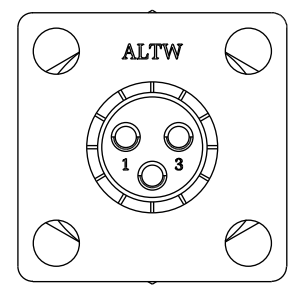
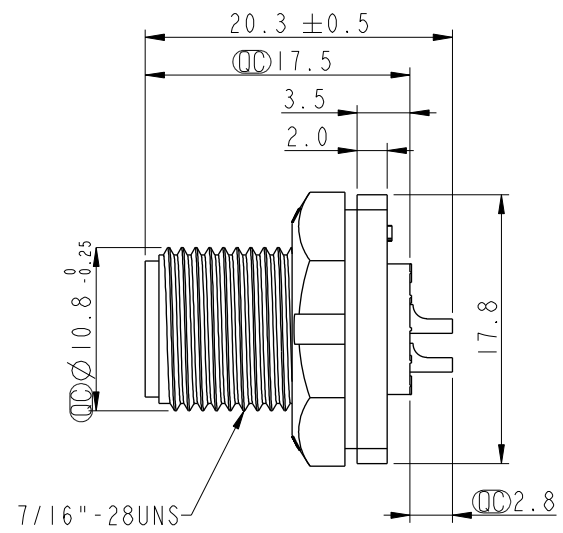
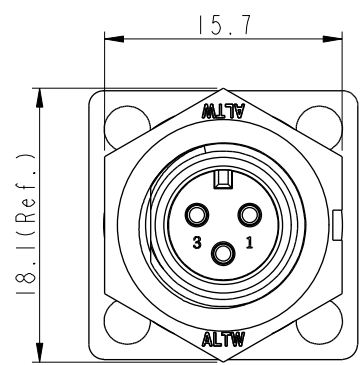
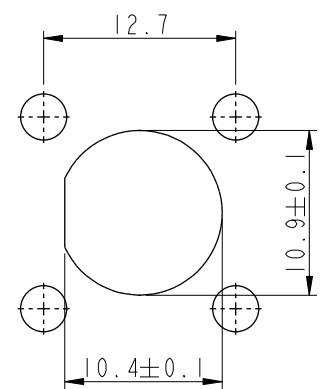


THIS DOCUMENT IS SUBJECT TO CHANGE WITHOUT NOTICE. IT IS CONFIDENTIAL AND A PROPERTY OF Amphenol LTW. DISCLOSURE TO THIRD PARTY HAS TO BE AUTHORIZED BY Amphenol LTW.

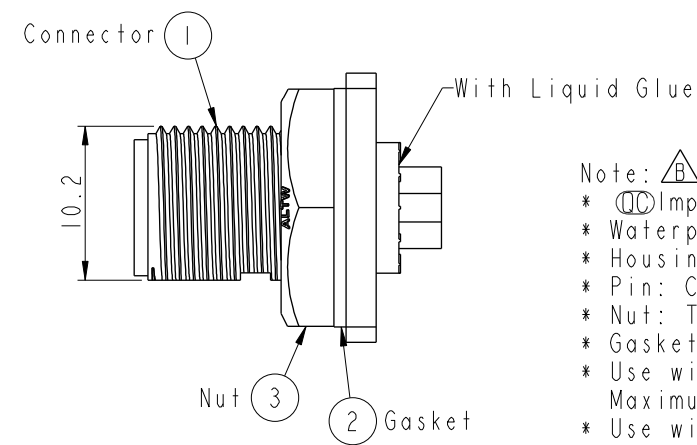
REV.	ECN NO.	DATE	SIGN	DESCRIPTION
A	Initial Release	2013/10/28	Ann	New Item
B	CI90315	2019/03/18	Ruru	Modify Note & Add QC Dimension



Pin Assignments  
Front View



Recommended Panel  
Cut-Out



- Note:  $\triangle B$
- \*  $\text{⌀}$  Important Dimension
  - \* Waterproof Rate: IP67, Unmated
  - \* Housing: Thermoplastic, Black
  - \* Pin: Copper Alloy, Gold Plated
  - \* Nut: Thermoplastic, Black
  - \* Gasket: Rubber, Gray
  - \* Use with waterproof cap or dust cap  
Maximum Panel Thickness: 2.8mm
  - \* Use without waterproof cap or dust cap  
Maximum Panel Thickness: 4.0mm
  - \* Gasket and Nut are packed separately  
in PE bags

UNIT:mm  TOLERANCE .X ±0.25 .XX ±0.1 .XXX ±0.05 ANGLES ±1°	TITLE Mini CNC Pin Panel Screw 3Pin M Conn M Pin			<b>Amphenol LTW</b> 安費諾亮泰企業股份有限公司		ITEM NO IAD-03PMMS-SS7001	DRAWN BY Ruru	DATE 2019-03-18
	SCALE 2:1	SIZE A4	SHEET 1 OF 1			DWG NO IAD-03PMMS-SS7001	CHECKED BY Rita	DATE 2019-03-18
	REV. B	WC-REV. A.3	QC: Inspection item	CUSTOMER ALTW	APPROVED BY Max	DATE 2019-03-18		