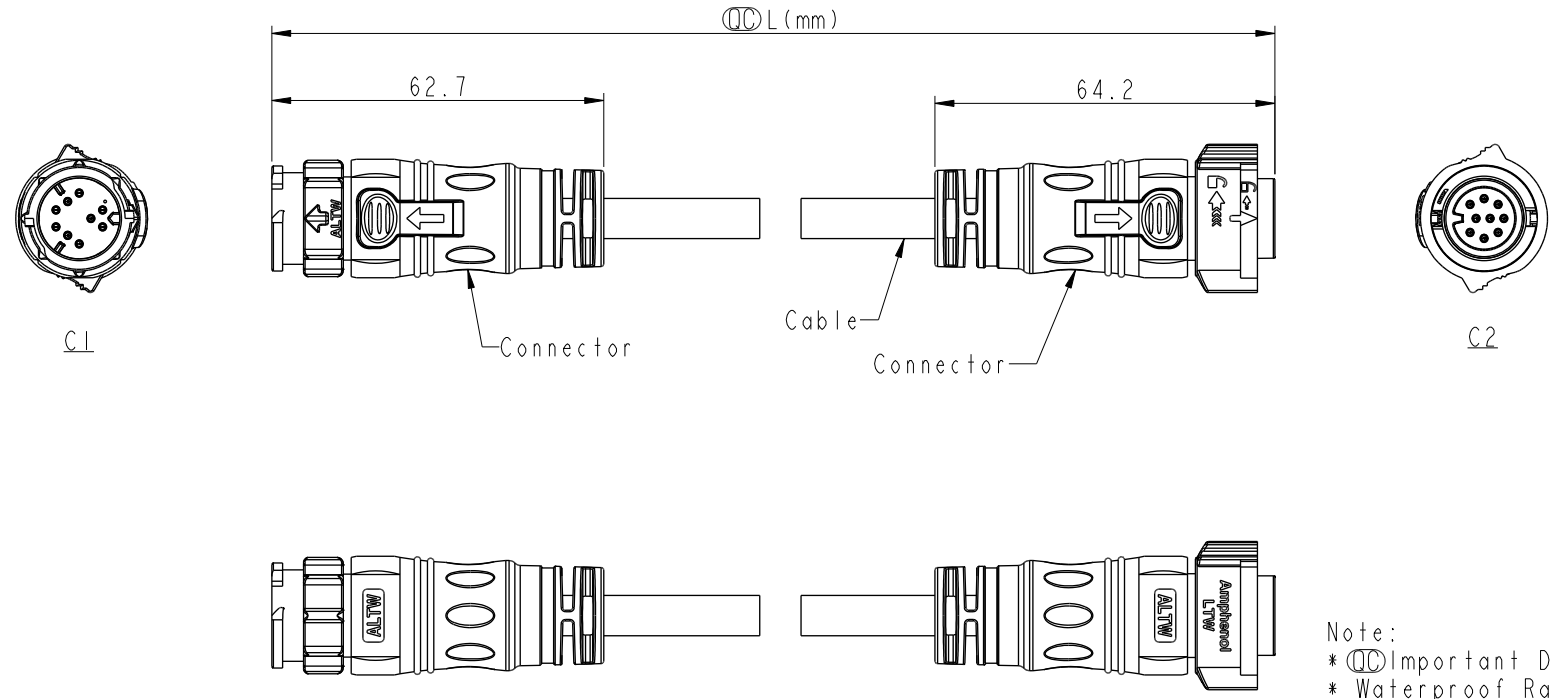


THIS DOCUMENT IS SUBJECT TO CHANGE WITHOUT NOTICE. IT IS CONFIDENTIAL AND A PROPERTY OF Amphenol LTW. DISCLOSURE TO THIRD PARTY HAS TO BE AUTHORIZED BY Amphenol LTW.

REV.	ECN NO.	DATE	SIGN	DESCRIPTION
A		2020/01/09	Ruru	Initial Released



Note:

- * \varnothing Important Dimension.
- * Waterproof Rate: IP68, Mated.
IP68: 1M depth of water in 24 hours.
- * Connector: Thermoplastic, Black.
- * Pin: Copper Alloy, Gold Plated.
- * Cable: UL21388, PVC Jacket, Black.
- * Cable Length Tolerance: 0.5M: +60/-0mm
01M: +60/-0mm
02~03M: +120/-0mm
04~05M: +160/-0mm
06~10M: ±100mm
11~20M: ±200mm
21~30M: ±300mm
31~99M: ±500mm

UNIT: mm		TITLE	ACC, XLOK, C-5A, DB-ENDED MF	
TOLERANCE	±0.5 mm	SCALE	1:2	SHEET 1 OF 2
REV.	A	WC-REV.		\varnothing : Inspection item

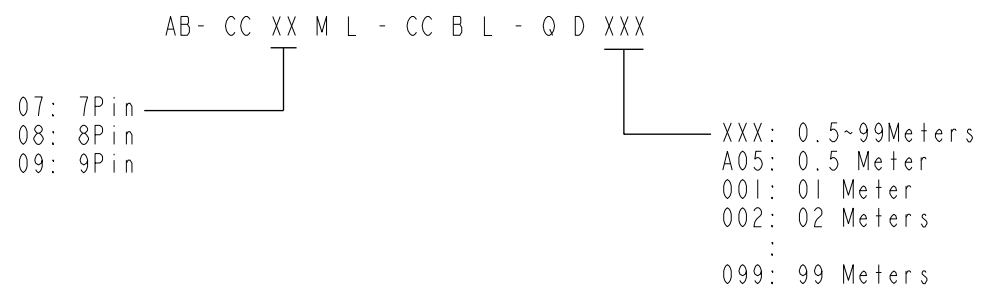
Amphenol LTW
安費諾亮泰企業股份有限公司

ITEM NO.	DRAWN BY	DATE
	Ruru	2020-01-09
DWG NO.	CHECKED BY	DATE
AB-CDXXML-CDBL-QDXXX	Rita	2020-01-09
CUSTOMER	APPROVED BY	DATE
ALTW	Max	2020-01-09

THIS DOCUMENT IS SUBJECT TO CHANGE WITHOUT NOTICE. IT IS CONFIDENTIAL AND A PROPERTY OF AMPHENOL LTW. DISCLOSURE TO THIRD PARTY HAS TO BE AUTHORIZED BY AMPHENOL LTW.

6		7		8	
9P	PVC	7.6	20	AB-CD09ML-CDBL-QDXXX	
8P		7.2		AB-CD08ML-CDBL-QDXXX	
7P		6.8		AB-CD07ML-CDBL-QDXXX	
Contacts	Cable Jacket	Cable OD	AWG	Item No.	

Pin Out	7	Orange	橙	8	Green	綠	9	Brown	棕
	6	Blue	藍	7	Orange	橙	8	Green	綠
	8	Green	綠	6	Blue	藍	7	Orange	橙
	4	Yellow	黃	5	Purple	紫	6	Blue	藍
	3	Black	黑	4	Yellow	黃	5	Purple	紫
	2	Red	紅	3	Black	黑	4	Yellow	黃
	1	Brown	棕	2	Red	紅	3	Black	黑
				1	Brown	棕	2	Red	紅
							1	Gray	灰
	Pin #	Wire		Pin #	Wire		Pin #	Wire	
C2									
	7P			8P			9P		
C1									
	7P			8P			9P		
Pin Assignments Front View									



UNIT:mm		TITLE	ACC, XLOK, C-5A, DB-ENDED MF	
TOLERANCE	± 0.5 mm	SCALE	1:2	SIZE A4
		REV.	A	WC-REV.
			QC: Inspection item	SHEET 2 OF 2

Amphenol LTW 安費諾亮泰企業股份有限公司		ITEM NO	DRAWN BY	DATE
		DWG NO	CHECKED BY	DATE
		CUSTOMER	APPROVED BY	DATE
		ALTW	Max	2020-01-09