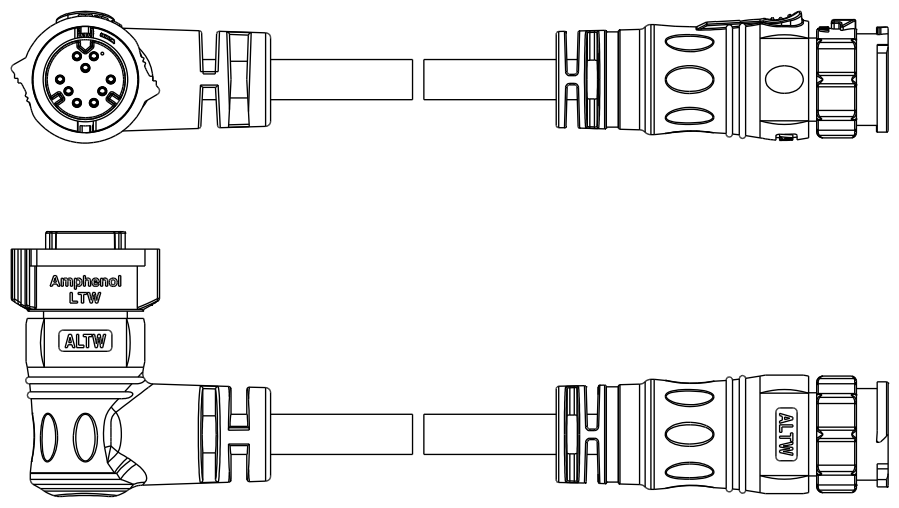
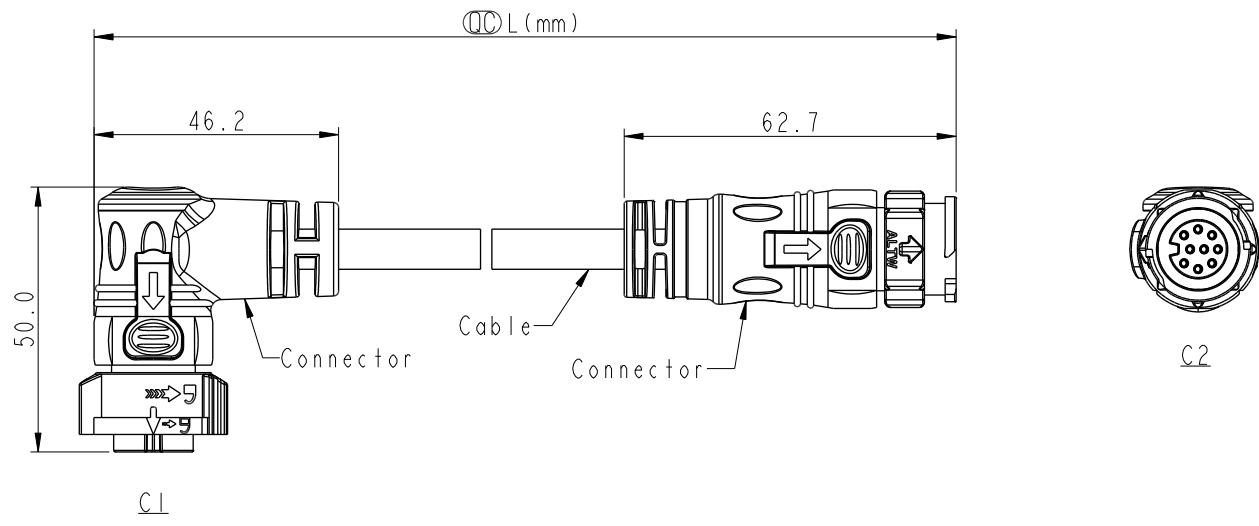


THIS DOCUMENT IS SUBJECT TO CHANGE WITHOUT NOTICE. IT IS CONFIDENTIAL AND A PROPERTY OF Amphenol LTW. DISCLOSURE TO THIRD PARTY HAS TO BE AUTHORIZED BY Amphenol LTW.

REV.	ECN NO.	DATE	SIGN	DESCRIPTION
A		2020/01/10	Ruru	Initial Released



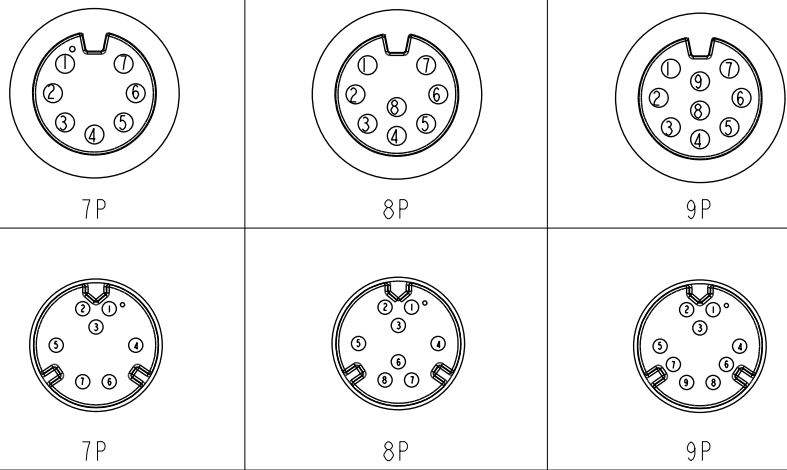
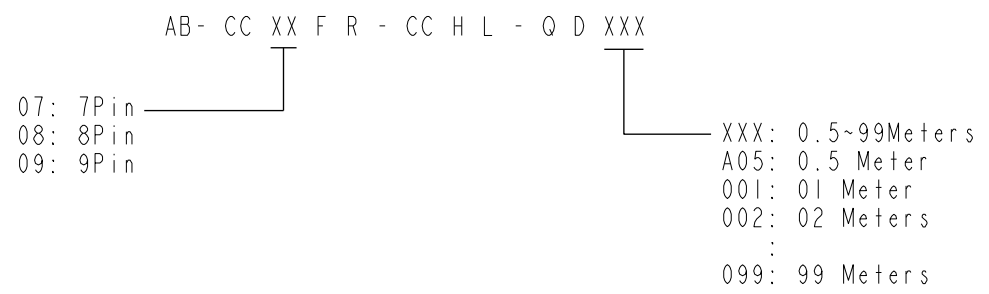
- Note:
- \*  $\varnothing$  Important Dimension.
  - \* Waterproof Rate: IP68, Mated.  
IP68: 1M depth of water in 24 hours.
  - \* Connector: Thermoplastic, Black.
  - \* Pin: Copper Alloy, Gold Plated.
  - \* Cable: UL21388, PVC Jacket, Black.
  - \* Cable Length Tolerance:
    - 0.5M: +60/-0mm
    - 01M: +60/-0mm
    - 02~03M: +120/-0mm
    - 04~05M: +160/-0mm
    - 06~10M: ±100mm
    - 11~20M: ±200mm
    - 21~30M: ±300mm
    - 31~99M: ±500mm

UNIT: mm TOLERANCE ±0.5 mm		TITLE ACC, XLOK, C-5A, DB-ENDED FM	<h1>Amphenol LTW</h1> <h2>安費諾亮泰企業股份有限公司</h2>		ITEM NO.	DRAWN BY Ruru	DATE 2020-01-10
		SCALE 1:2			SIZE A4	SHEET 1 OF 2	DWG NO. AB-CDXXFR-CDHL-QDXXX
		REV. A	WC-REV.	$\varnothing$ : Inspection item	CUSTOMER ALTW	APPROVED BY Max	DATE 2020-01-10

THIS DOCUMENT IS SUBJECT TO CHANGE WITHOUT NOTICE. IT IS CONFIDENTIAL AND A PROPERTY OF AMPHENOL LTW. DISCLOSURE TO THIRD PARTY HAS TO BE AUTHORIZED BY AMPHENOL LTW.

6		7		8	
9P	PVC	7.6	20	AB-CD09FR-CDHL-QDXXX	
8P		7.2		AB-CD08FR-CDHL-QDXXX	
7P		6.8		AB-CD07FR-CDHL-QDXXX	
Contacts	Cable Jacket	Cable OD	AWG	Item No.	

Pin Out	Pin #	Wire	Pin #	Wire	Pin #	Wire
7	7	Orange 橙	8	Green 綠	9	Brown 棕
6	7	Blue 藍	7	Orange 橙	8	Green 綠
8	6	Green 綠	6	Blue 藍	7	Orange 橙
4	5	Yellow 黃	5	Purple 紫	6	Blue 藍
3	4	Black 黑	4	Yellow 黃	5	Purple 紫
2	3	Red 紅	3	Black 黑	4	Yellow 黃
1	2	Brown 棕	2	Red 紅	3	Black 黑
	1		1	Brown 棕	2	Red 紅
					1	Gray 灰



Pin Assignments Front View

UNIT:mm		TITLE	ACC, XLOK, C-5A, DB-ENDED FM		
TOLERANCE	± 0.5 mm	SCALE	1:2	SIZE	A4
		REV.	A	WC-REV.	
				SHEET	2 OF 2
					QC: Inspection item

**Amphenol LTW**  
安費諾亮泰企業股份有限公司

ITEM NO	DRAWN BY	DATE
DWG NO	CHECKED BY	DATE
CUSTOMER	APPROVED BY	DATE
ALTW	Ruru	2020-01-10
	Rita	2020-01-10
	Max	2020-01-10