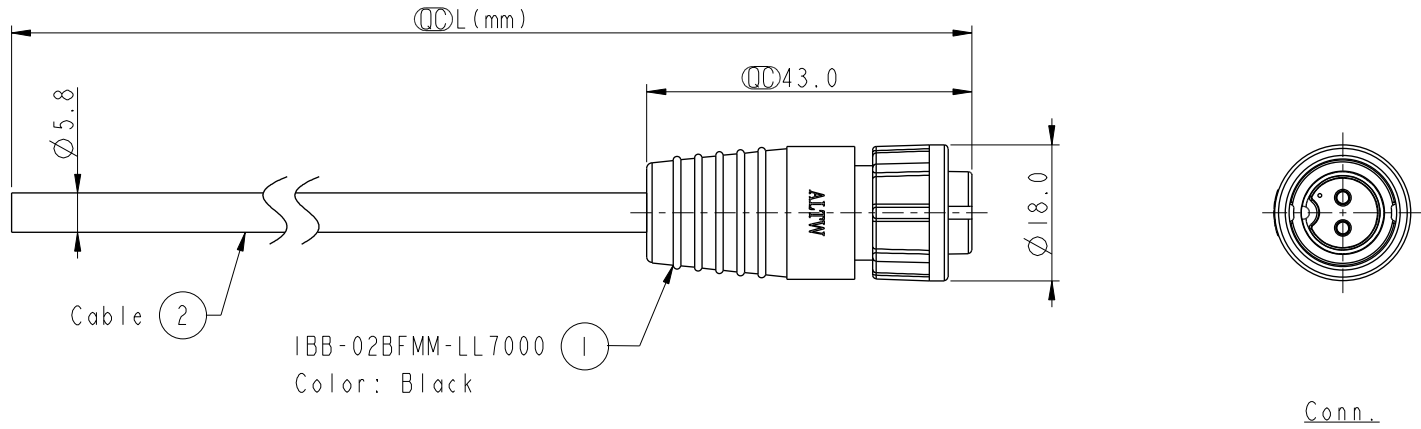
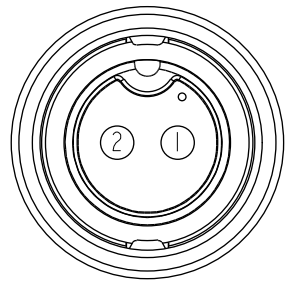
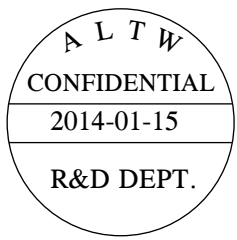


REV.	ECN NO.	DATE	SIGN	DESCRIPTION



IBB-02BFMM-LL7000  
Color: Black



Pin Assignments  
Front View

2	Red	紅
1	Green	綠
Conn.	Wire Color	
Pin Out		

IBB-02BFMM-LL7AXX

- XX : 01~99Meters
- 01 : 01Meter
- 02 : 02Meters
- ...
- 99 : 99Meters

Cable Length(L): 01~99Meters

- Note:
- \*  $\varnothing$  Important Dimension To Check
  - \* Waterproof Rate: IP67
  - \* Housing: Nylon+GF, Black
  - \* Male Pin: Copper Alloy, Gold Plated
  - \* Cable: UL2464 20AWG\*2C+D+AL/My  
PVC Jacket UV Resistant, OD=5.8, Black
  - \* Cable Length Tolerance: 01M:±40mm  
02M~05M: ±60mm  
06M~10M: ±100mm  
11M~30M: ±200mm  
31M~99M: ±500mm

UNIT:mm	
TOLERANCE	± 0.5mm

TITLE STANDARD CNC PIN CABLE LOCK 2PIN F CONN M PIN			
SCALE 1:1	SIZE A4	SHEET 1 OF 1	
REV. A	WC-REV. A.1	$\varnothing$ : Inspection item	

**Amphenol LTW**  
安費諾亮泰企業股份有限公司

ITEM NO	DRAWN BY Ruru	DATE 2014-01-15
DWG NO IBB-02BFMM-LL7AXX	CHECKED BY Tony	DATE 2014-01-15
CUSTOMER ALTW	APPROVED BY Victor	DATE 2014-01-15

THIS DOCUMENT IS SUBJECT TO CHANGE WITHOUT NOTICE. IT IS CONFIDENTIAL AND A PROPERTY OF Amphenol LTW. DISCLOSURE TO THIRD PARTY HAS TO BE AUTHORIZED BY Amphenol LTW.