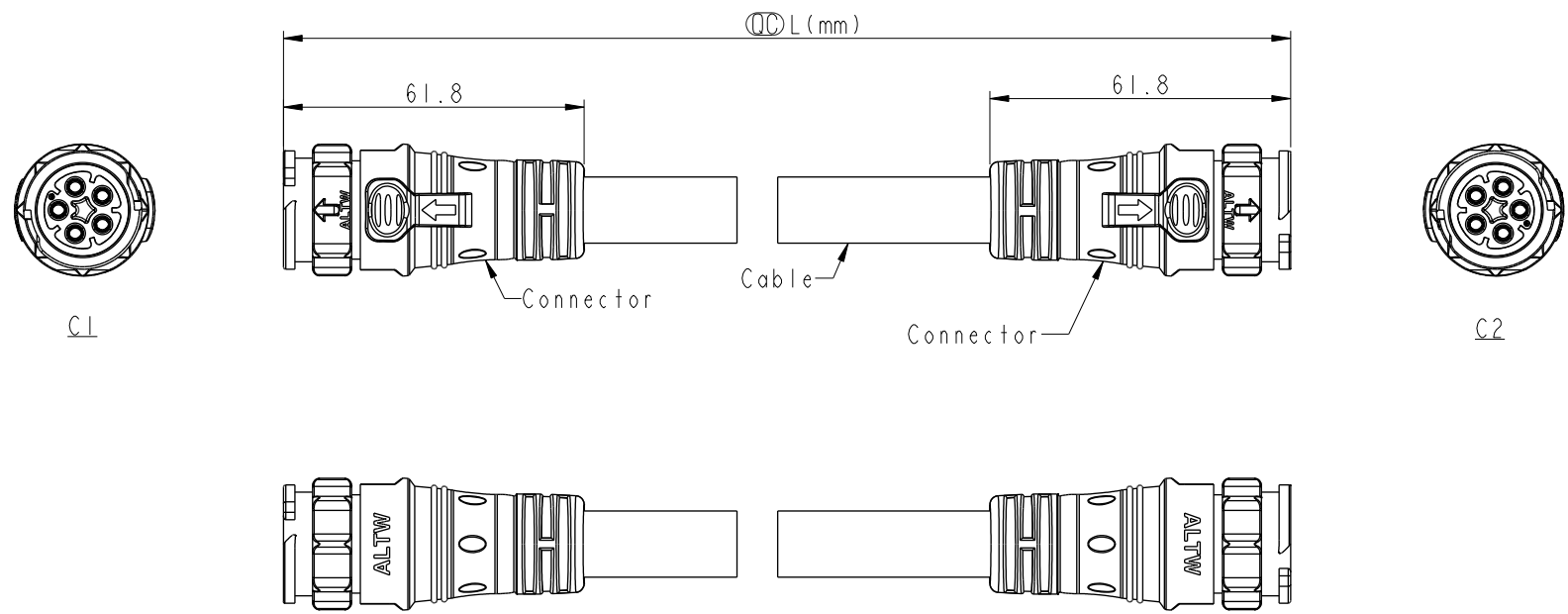


THIS DOCUMENT IS SUBJECT TO CHANGE WITHOUT NOTICE. IT IS CONFIDENTIAL AND A PROPERTY OF Amphenol LTW. DISCLOSURE TO THIRD PARTY HAS TO BE AUTHORIZED BY Amphenol LTW.

REV.	ECN NO.	DATE	SIGN	DESCRIPTION
A		2020/01/13	Ruru	Initial Released



- Note:
- * \varnothing Important Dimension.
 - * Waterproof Rate: IP68, Mated.
IP68: 1M depth of water in 24 hours.
 - * Connector: Thermoplastic, Black.
 - * Pin: Copper Alloy, Gold Plated.
 - * Cable: SJTW, PVC Jacket, Black.
 - * Cable Length Tolerance:
 - 0.5M: +60/-0mm
 - 01M: +60/-0mm
 - 02~03M: +120/-0mm
 - 04~05M: +160/-0mm
 - 06~10M: ±100mm
 - 11~20M: ±200mm
 - 21~30M: ±300mm
 - 31~99M: ±500mm

UNIT: mm	
TOLERANCE	±0.5 mm

TITLE ACC, XLOK, D-20A, DB-ENDED MM		
SCALE 1:2	SIZE A4	SHEET 1 OF 2
REV. A	WC-REV.	\varnothing : Inspection item

Amphenol LTW
安費諾亮泰企業股份有限公司

ITEM NO.	DRAWN BY Ruru	DATE 2020-01-13
DWG NO. AB-DCXXHL-DCHL-QEXXX	CHECKED BY Rita	DATE 2020-01-13
CUSTOMER ALTW	APPROVED BY Max	DATE 2020-01-13

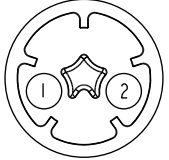

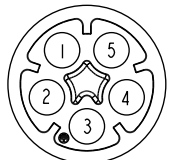
THIS DOCUMENT IS SUBJECT TO CHANGE WITHOUT NOTICE. IT IS CONFIDENTIAL AND A PROPERTY OF Amphenol LTW. DISCLOSURE TO THIRD PARTY HAS TO BE AUTHORIZED BY Amphenol LTW.


5P	PVC	13.6	12	AB-DC05HL-DCHL-QEXXX
3P		11.7		AB-DC03HL-DCHL-QEXXX
2P		10.7		AB-DC02HL-DCHL-QEXXX
Contacts	Cable Jacket	Cable OD	AWG	Item No.

AB- DC XX HL - DC HL - Q E XXX

02: 2Pin
03: 3Pin
05: 5Pin

XXX: 0.5~99Meters
A05: 0.5 Meter
001: 01 Meter
002: 02 Meters
:
099: 99 Meters

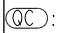
Pin Out	2 White 白 1 Black 黑	3 Green 綠 2 White 白 1 Black 黑	5 Brown 棕 4 Red 紅 3 Green 綠 2 White 白 1 Black 黑
	Pin # Wire	Pin # Wire	Pin # Wire
CI & C2			
	2P	3P	5P
Pin Assignments Front View			

UNIT:mm 

TOLERANCE
± 0.5 mm

TITLE ACC, XLOK, D-20A, DB-ENDED MM

SCALE 1:2 SIZE A4 SHEET 2 OF 2

REV. A WC-REV. :Inspection item

Amphenol LTW
安費諾亮泰企業股份有限公司

ITEM NO	DRAWN BY Ruru	DATE 2020-01-13
DWG NO AB-DCXXHL-DCHL-QEXXX	CHECKED BY Rita	DATE 2020-01-13
CUSTOMER ALTW	APPROVED BY Max	DATE 2020-01-13