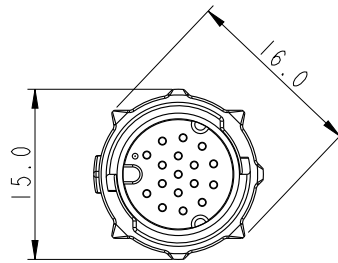
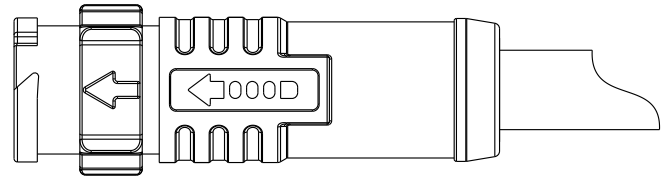
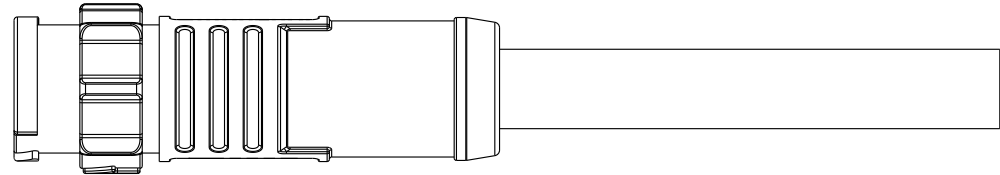
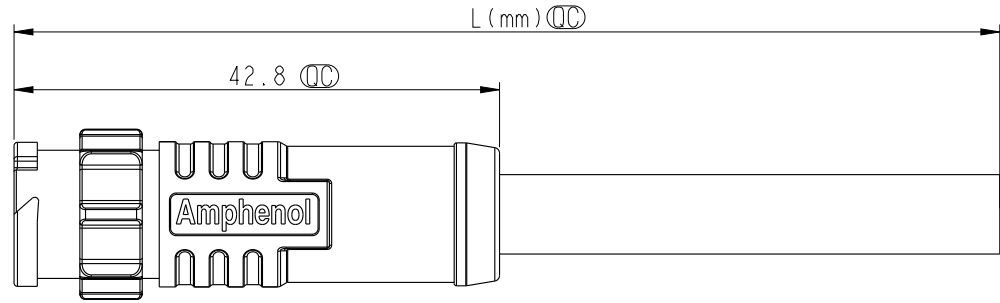


THIS DOCUMENT IS SUBJECT TO CHANGE WITHOUT NOTICE. IT IS CONFIDENTIAL AND A PROPERTY OF Amphenol LTW. DISCLOSURE TO THIRD PARTY HAS TO BE AUTHORIZED BY Amphenol LTW.

REV.	ECN NO.	DATE	SIGN	DESCRIPTION
B	C211270	2021-07-13	Ouyang	△ XI



Conn.



- Note: △
- \* (⊕) Important Dimension To Check.
  - \* Waterproof Rate: IP68(Mated)
  - \* Flame Class: UL94V-0 (UV Resistance)
  - \* Housing: Thermoplastic, Black.
  - \* Male Pin: Copper Alloy, Gold Plated.
  - \* Outer Mold: Thermoplastic, Black.
  - \* Rated Current: 17Pin 1.5A(30V)
  - \* Cable: UL2517 26#\*17C, OD=7.0mm, PVC Black
  - \* Cable Length Tolerance: 01M:±40mm  
02M~05M:±60mm  
06M~10M:±100mm

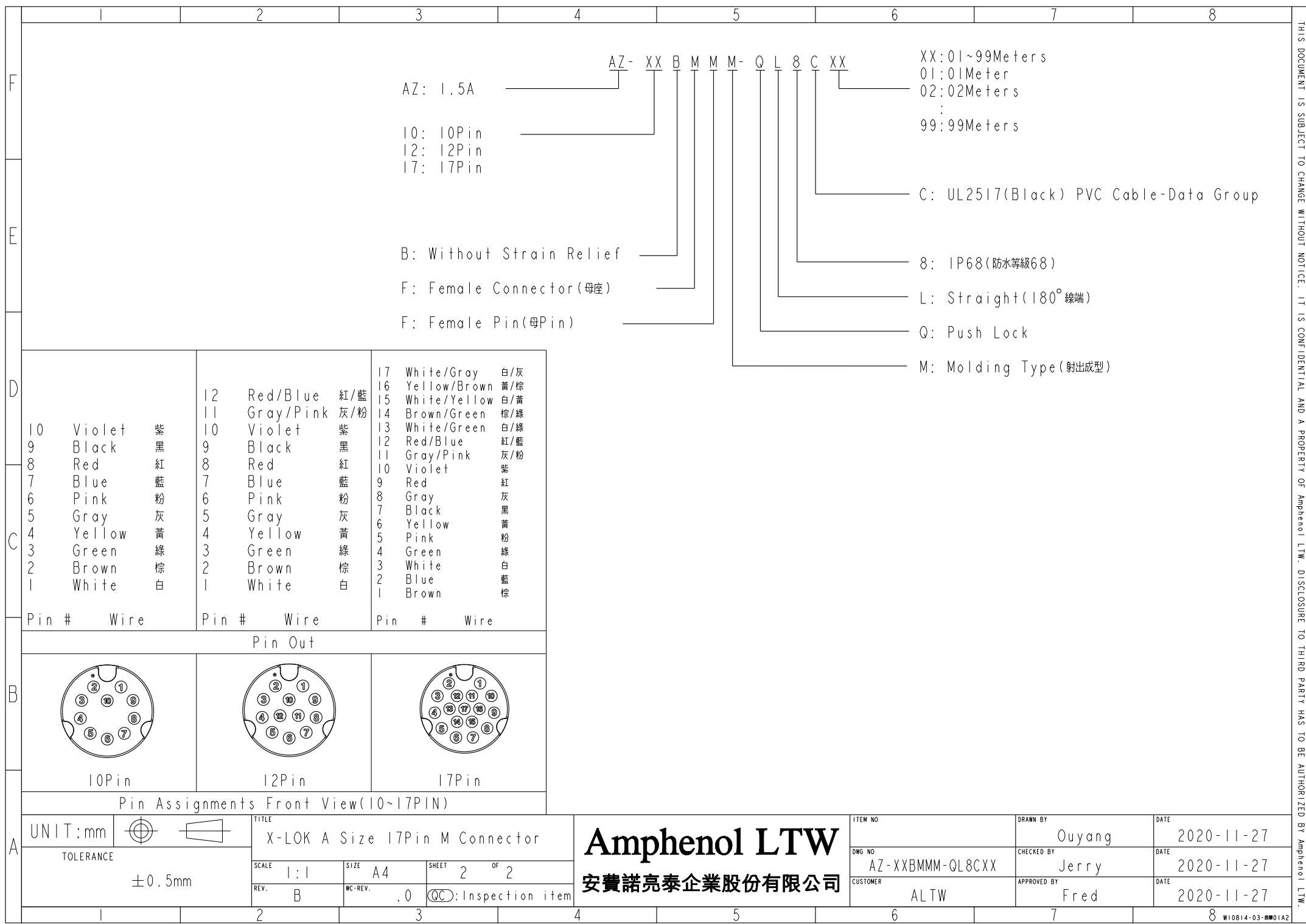
UNIT:mm		
TOLERANCE	±0.5mm	

TITLE X-LOK A Size 17Pin M Connector			
SCALE 1:1	SIZE A4	SHEET 1 OF 2	
REV. B	WC-REV. .0	⊕: Inspection item	

**Amphenol LTW**  
安費諾亮泰企業股份有限公司

ITEM NO	DRAWN BY Ouyang	DATE 2020-11-27
DWG NO AZ-XXBMMM-QL8CXX	CHECKED BY Jerry	DATE 2020-11-27
CUSTOMER ALTW	APPROVED BY Fred	DATE 2020-11-27

THIS DOCUMENT IS SUBJECT TO CHANGE WITHOUT NOTICE. IT IS CONFIDENTIAL AND A PROPERTY OF Amphenol LTW. DISCLOSURE TO THIRD PARTY HAS TO BE AUTHORIZED BY Amphenol LTW.



AZ: 1.5A  
 10: 10Pin  
 12: 12Pin  
 17: 17Pin

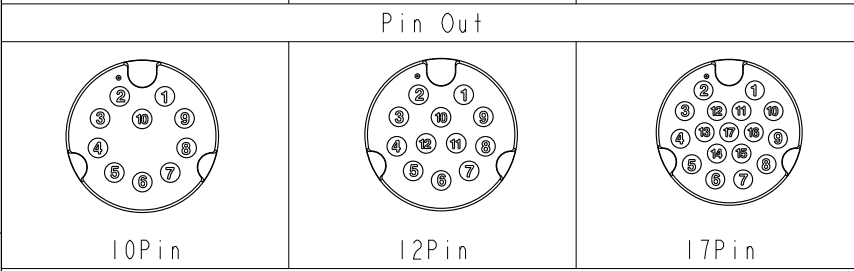
B: Without Strain Relief  
 F: Female Connector(母座)  
 F: Female Pin(母Pin)

AZ- XX B M M M- Q L 8 C XX

XX: 01~99Meters  
 01: 01Meter  
 02: 02Meters  
 ...  
 99: 99Meters

C: UL2517(Black) PVC Cable-Data Group  
 8: IP68(防水等級68)  
 L: Straight(180°線端)  
 Q: Push Lock  
 M: Molding Type(射出成型)

10	Violet	紫	10	Violet	紫	17	White/Gray	白/灰
9	Black	黑	11	Gray/Pink	灰/粉	16	Yellow/Brown	黃/棕
8	Red	紅	9	Black	黑	15	White/Yellow	白/黃
7	Blue	藍	8	Red	紅	14	Brown/Green	棕/綠
6	Pink	粉	7	Blue	藍	13	White/Green	白/綠
5	Gray	灰	6	Pink	粉	12	Red/Blue	紅/藍
4	Yellow	黃	5	Gray	灰	11	Gray/Pink	灰/粉
3	Green	綠	4	Yellow	黃	10	Violet	紫
2	Brown	棕	3	Green	綠	9	Red	紅
1	White	白	2	Brown	棕	8	Gray	灰
			1	White	白	7	Black	黑
						6	Yellow	黃
						5	Pink	粉
						4	Green	綠
						3	White	白
						2	Blue	藍
						1	Brown	棕



Pin Assignments Front View(10~17PIN)

UNIT:mm		TITLE
TOLERANCE	±0.5mm	X-LOK A Size 17Pin M Connector
SCALE	1:1	SIZE A4
REV.	B	SHEET 2 OF 2
		WC-REV. .0
		☉: Inspection item

**Amphenol LTW**  
 安費諾亮泰企業股份有限公司

ITEM NO	DRAWN BY	DATE
DWG NO	CHECKED BY	DATE
CUSTOMER	APPROVED BY	DATE
ALTW	Ouyang Jerry Fred	2020-11-27 2020-11-27 2020-11-27