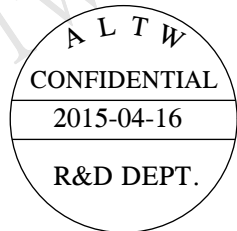
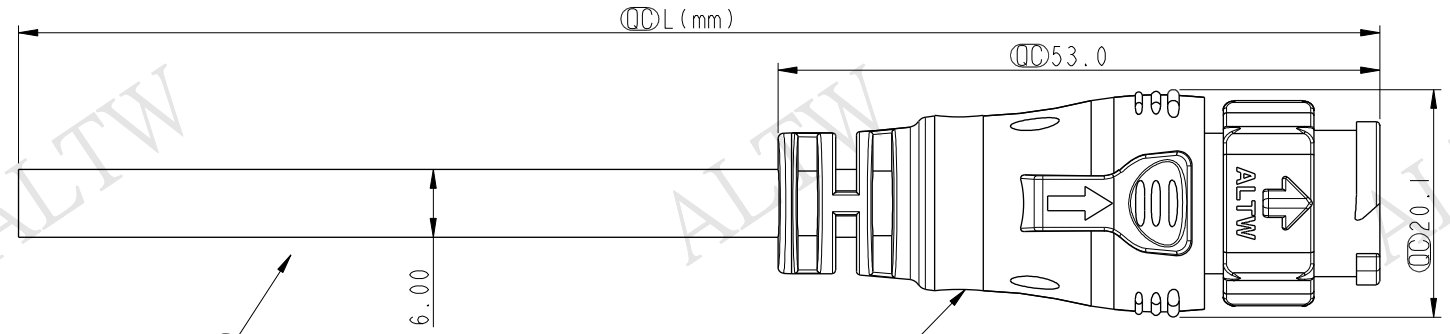
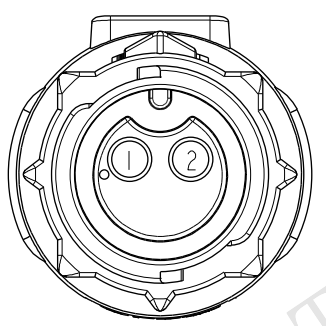
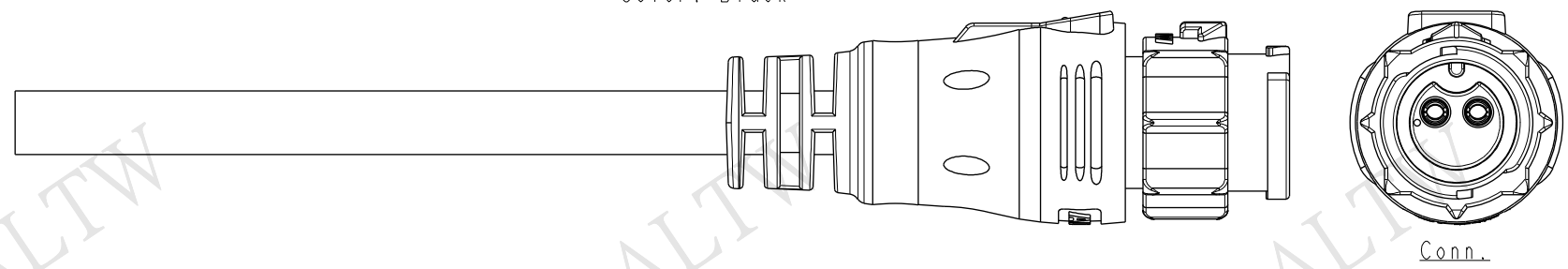


THIS DOCUMENT IS SUBJECT TO CHANGE WITHOUT NOTICE. IT IS CONFIDENTIAL AND A PROPERTY OF AMPHENOL LTW. DISCLOSURE TO THIRD PARTY HAS TO BE AUTHORIZED BY AMPHENOL LTW.

REV.	ECN NO.	DATE	SIGN	DESCRIPTION
B	LEN1540295	2015-04-16	Micky	Modify #2 Wire Colore



BB-02AMFM-QL8W00 1
Color: Black



Pin Assignments
Front View



BB-02AMFM-QL8DXX
 XX : 01~99Meters
 01 : 01Meter
 02 : 02Meters
 ...
 99 : 99Meters
 Cable Length(L):01~99Meters

- Note:
- * \varnothing Important Dimension To Check.
 - * Waterproof Rate: IP68(Mated,1M/24H)
 - * Working Voltage Rating: AC 300 V
 - * Working Current Rating: 10A
 - * Flame Class: UL94V-0
 - * Housing: Nylon+GF, Black.(UV Resistance)
 - * Female Pin: Copper Alloy, Gold Plated.
 - * Cable: UL21388 16AWG*2C+AL+My
PVC Jacket UV Resistant, OD=6.0, Black.
 - * Cable Length Tolerance: 01M:±40mm
02M~05M:±60mm
06M~10M:±100mm
11M~30M:±200mm
31M~99M:±500mm

2	Red	紅	B
1	Black	黑	
Conn.	Wire Color		
Pin Out			

UNIT:mm		
TOLERANCE .X	±0.5	

TITLE X-Lok B-Size Molding M Conn F 2 Pin			
SCALE 3:2	SIZE A4	SHEET 1 OF 1	
REV. B	WC-REV. A.2	\varnothing : Inspection item	

Amphenol LTW
安費諾亮泰企業股份有限公司

ITEM NO	DRAWN BY Micky	DATE 2015-04-16
DWG NO BB-02AMFM-QL8DXX	CHECKED BY Spring	DATE 2015-04-16
CUSTOMER ALTW	APPROVED BY Kevin	DATE 2015-04-16