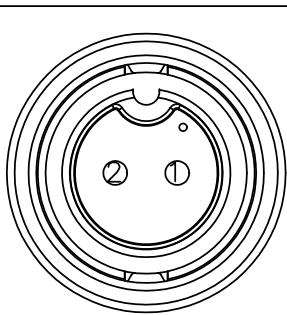
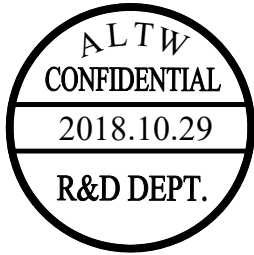
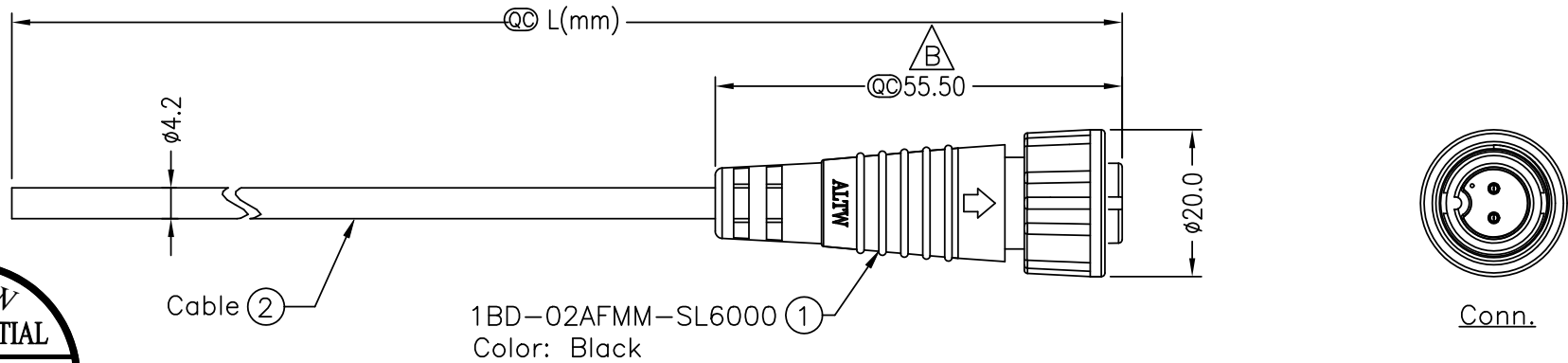


REV.	ECN NO.	DATE	SIGN	DESCRIPTION
A	Initial Release	2013/11/15	Ruru	New Item
B	C180181	2018/10/29	Smith Hung	Collection Connector Length



Pin Assignments  
Front View

2	Red	紅
1	Black	黑
Conn.	Wire Color	
	Pin Out	

1BD-02AFMM-SL6AXX

XX :01~99Meters  
01 :01 Meters  
02 :02 Meters  
:  
:  
99 :99 Meters

Cable Length(L):01~99Meters

Note :

- \* @C Important Dimension To Check.
- \* Waterproof Rate: IP66
- \* Housing: Nylon+GF, Black.
- \* Male Pin: Copper Alloy, Gold Plated.
- \* Cable: UL2464 24AWG\*2C+D+AL/My  
PVC Jacket UV Resistant, OD=4.2, Black.
- \* Cable Length Tolerance: 01M: ±40mm  
02M~05M: ± 60mm  
06M~10M: ± 100mm  
11M~30M: ± 200mm  
31M~99M: ± 500mm

UNIT:mm	
TOLERANCE	±0.5 mm

TITLE		STANDARD CNC PIN	
CABLE SCREW 2PIN F CONN M PIN			
SCALE	Free	SHEET	1 OF 1
REV.	B	SIZE	A4
@C :Inspection Item			

**Amphenol LTW**  
安費諾亮泰企業股份有限公司

ITEM NO	
DWG NO	1BD-02AFMM-SL6AXX
CUSTOMER	ALTW

DRAWN BY	Smith Hung
CHECKED BY	Victor Hung
APPROVED BY	Kevin Hu

DATE	2018/10/29
DATE	2018/10/29
DATE	2018/10/29

THIS DOCUMENT IS SUBJECT TO CHANGE WITHOUT NOTICE. IT IS CONFIDENTIAL AND A PROPERTY OF Amphenol LTW. DISCLOSURE TO THIRD PARTY HAS TO BE AUTHORIZED BY Amphenol LTW.