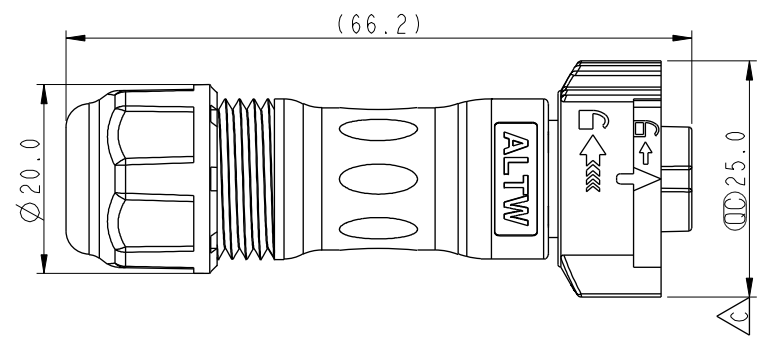
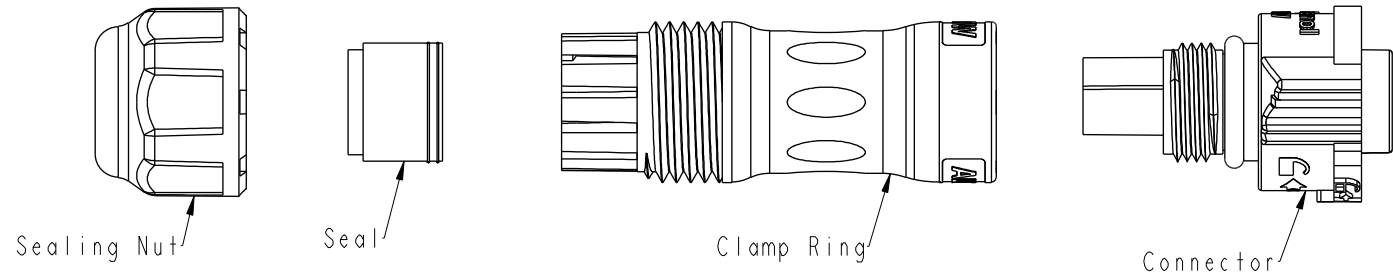


THIS DOCUMENT IS SUBJECT TO CHANGE WITHOUT NOTICE. IT IS CONFIDENTIAL AND A PROPERTY OF Amphenol LTW. DISCLOSURE TO THIRD PARTY HAS TO BE AUTHORIZED BY Amphenol LTW.

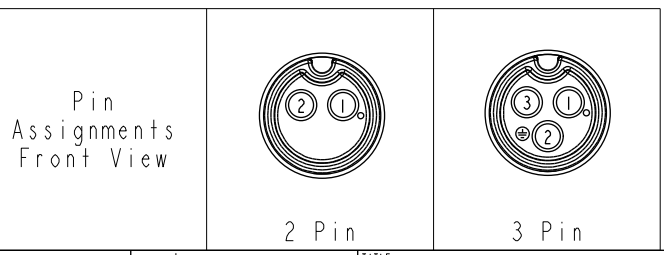
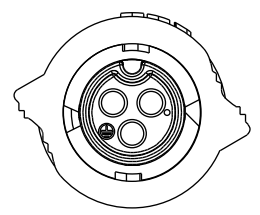
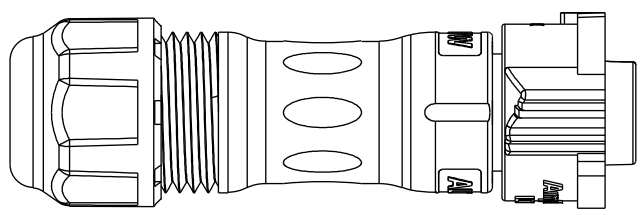
REV.	ECN NO.	DATE	SIGN	DESCRIPTION
A		2016/11/23	Victor Hung	Change Rev.01 To Rev.A
B	CI91299	2019/07/26	Jane	Update Ordering Information
C	CI92018	2019/11/15	Vicky	△C X4



BB-XXBFMA-QL8XNP

02-2Pin  
03-3Pin

S: With Red Color Seal 1, Cable OD 5.0~6.0mm.  
M: With Yellow Color Seal 2, Cable OD 6.0~8.0mm.  
L: With Blue Color Seal 3, Cable OD 8.0~10.0mm.  
A: With Seal 1 & Seal 2 & Seal 3.



- △ Note:
- \* ∅ Important Dimension
  - \* Waterproof Rate: IP68, Mated  
IP68: 1M Depth Of Water In 24hours
  - \* Housing: Thermoplastic, Black
  - \* Clamp Ring: Thermoplastic, Black
  - \* Sealing Nut: Thermoplastic, Black
  - \* Seals: Rubber

UNIT:mm		TITLE
TOLERANCE	$\pm 0.5$ mm	XLOK, B-10A, CABLE W/O SR F, M, FI CRIMP, XLOK
SCALE	1:1	SIZE A4
REV.	C	WC-REV. A.5
		QC: Inspection item

**Amphenol LTW**  
安費諾亮泰企業股份有限公司

ITEM NO	DRAWN BY	DATE
DWG NO	CHECKED BY	DATE
CUSTOMER	APPROVED BY	DATE
ALTW	Neo	2019-07-26
	Jane	2019-07-26
	Brady	2019-07-26