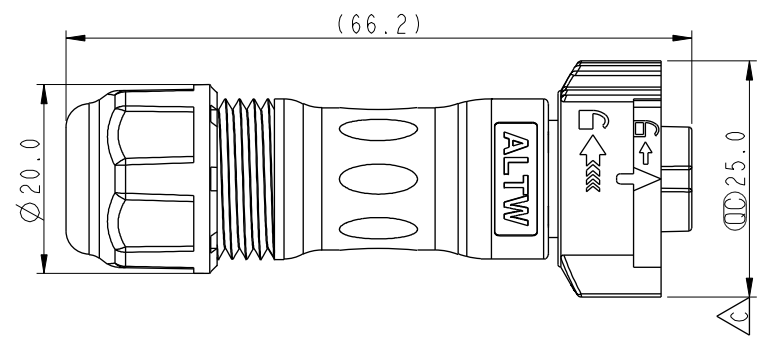
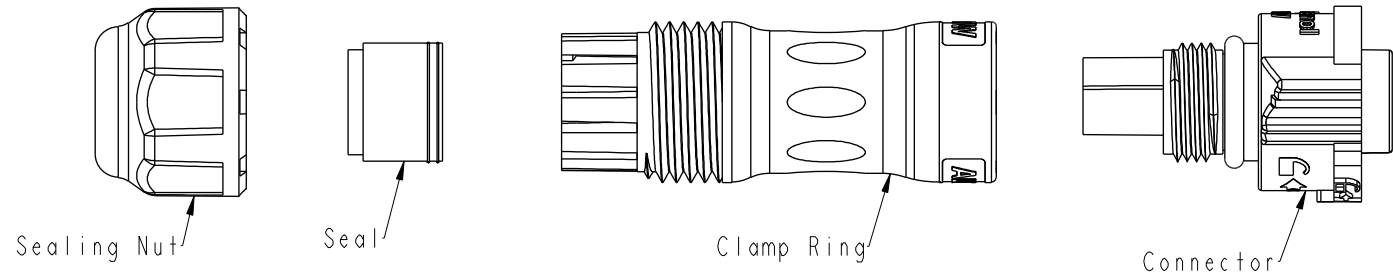


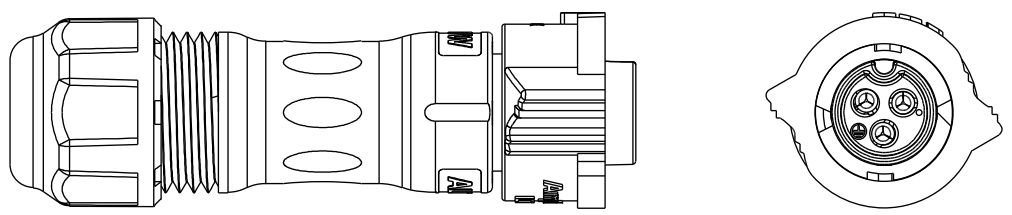
THIS DOCUMENT IS SUBJECT TO CHANGE WITHOUT NOTICE. IT IS CONFIDENTIAL AND A PROPERTY OF Amphenol LTW. DISCLOSURE TO THIRD PARTY HAS TO BE AUTHORIZED BY Amphenol LTW.

REV.	ECN NO.	DATE	SIGN	DESCRIPTION
A		2016/11/23	Victor Hung	Change Rev.01 To Rev.A
B	CI91299	2019/07/26	Jane	Update Ordering Information
C	CI92018	2019/11/15	Vicky	△C X4

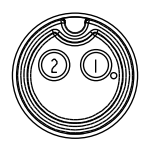


BB-XXBFMA-QL8XPP
 02-2Pin
 03-3Pin

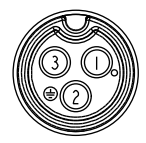
S: With Red Color Seal 1, Cable OD 5.0~6.0mm.
 M: With Yellow Color Seal 2, Cable OD 6.0~8.0mm.
 L: With Blue Color Seal 3, Cable OD 8.0~10.0mm.
 A: With Seal 1 & Seal 2 & Seal 3.



Pin Assignments Front View



2 Pin



3 Pin

- △ Note:
- * ∅ Important Dimension
 - * Waterproof Rate: IP68, Mated IP68: 1M Depth Of Water In 24hours
 - * Housing: Thermoplastic, Black
 - * Pin: Copper Alloy, Gold Plated
 - * Clamp Ring: Thermoplastic, Black
 - * Sealing Nut: Thermoplastic, Black
 - * Seals: Rubber

UNIT:mm		TITLE	XLOK, B-10A, CABLE W/O SR F, M, FI CRIMP, XLOK	
TOLERANCE	±0.5 mm	SCALE	1:1	SIZE A4
		REV.	C	WC-REV. A.5
				∅: Inspection item

Amphenol LTW
 安費諾亮泰企業股份有限公司

ITEM NO	DRAWN BY	DATE
	Jane	2019-07-26
DWG NO	CHECKED BY	DATE
BB-XXBFMA-QL8XPP△C	Brady	2019-07-26
CUSTOMER	APPROVED BY	DATE
ALTW	Neo	2019-07-26