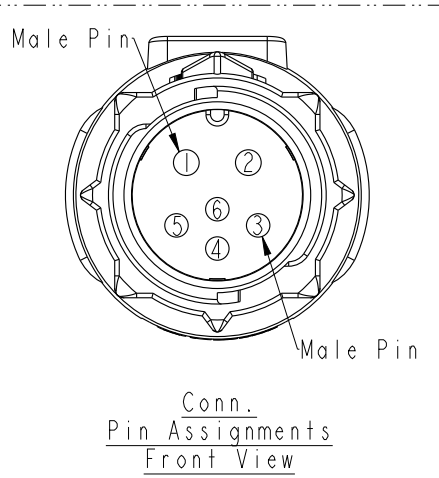
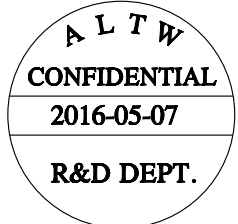
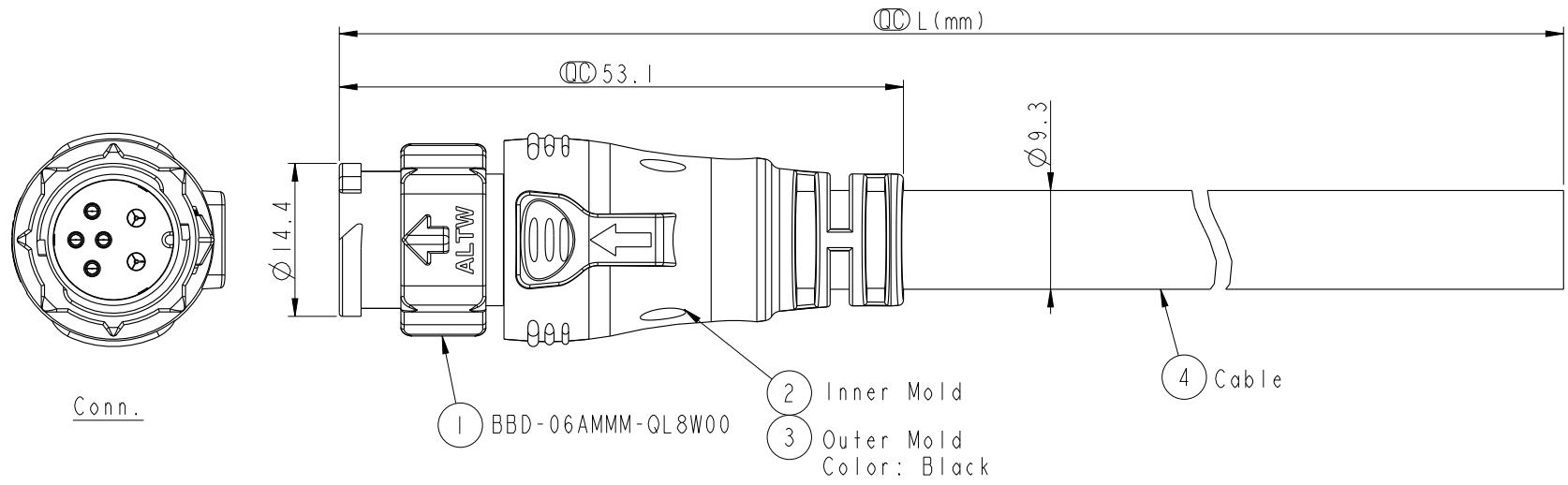


THIS DOCUMENT IS SUBJECT TO CHANGE WITHOUT NOTICE. IT IS CONFIDENTIAL AND A PROPERTY OF Amphenol LTW. DISCLOSURE TO THIRD PARTY HAS TO BE AUTHORIZED BY Amphenol LTW.

REV.	ECN NO.	DATE	SIGN	DESCRIPTION
A	Initial Release	2016-05-07	Spring	Change Rev.01 To Rev.A



6	Blue (26AWG)	藍	Twist 對線
5	Red (26AWG)	紅	
4	Green (26AWG)	綠	Twist 對線
3	White (26AWG)	白	
2	Black (16AWG)	黑	
1	White (16AWG)	白	
Conn.	Wire Color		
	Pin Out		

BBD-06AMMM-QL8FXX
 XX:01~99Meters
 01:01Meter
 02:01Meters
 ...
 99:99Meters
 Cable Length(L):01~99Meters

Note:
 * \varnothing Important Dimension To Check.
 * Waterproof Rate: IP68(Mated)
 In 1 meter water within 24 hours
 * Working Voltage Rating:
 Power: AC/DC 300V
 Data: DC 30V
 * Working Current:
 Power: 10A
 Data: 05A
 * Housing: Nylon+GF, Black.
 * Pin: Copper Alloy, Gold Plated.
 * Cable: UL21996 16AWG*2C+(26AWG*2P+AL/MY)
 +F+AL/MY, PVC Jacket, OD=9.3, Black.
 * Cable Length Tolerance: 01M: ± 40 mm
 02M~05M: ± 60 mm
 06M~10M: ± 100 mm
 11M~30M: ± 200 mm
 31M~99M: ± 500 mm

UNIT:mm TOLERANCE ± 0.5 mm	TITLE STANDARD, CABLE X-LOK (2+4)PIN M CONN M PIN			Amphenol LTW 安費諾亮泰企業股份有限公司	ITEM NO	DRAWN BY Spring	DATE 2016-05-07
	SCALE 3:2	SIZE A4	SHEET 1 OF 1		DWG NO BBD-06AMMM-QL8FXX	CHECKED BY Fisher	DATE 2016-05-07
	REV. A	WC-REV. A.1	\varnothing : Inspection item		CUSTOMER ALTW	APPROVED BY Kevin	DATE 2016-05-07