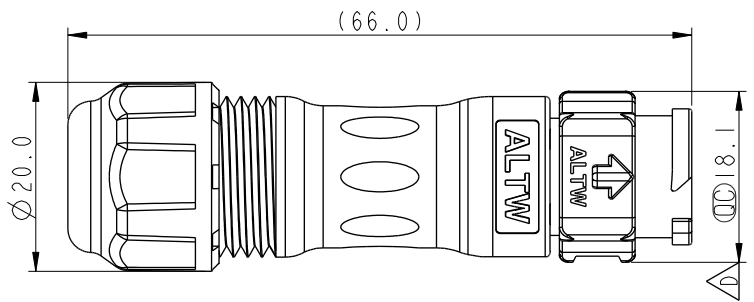
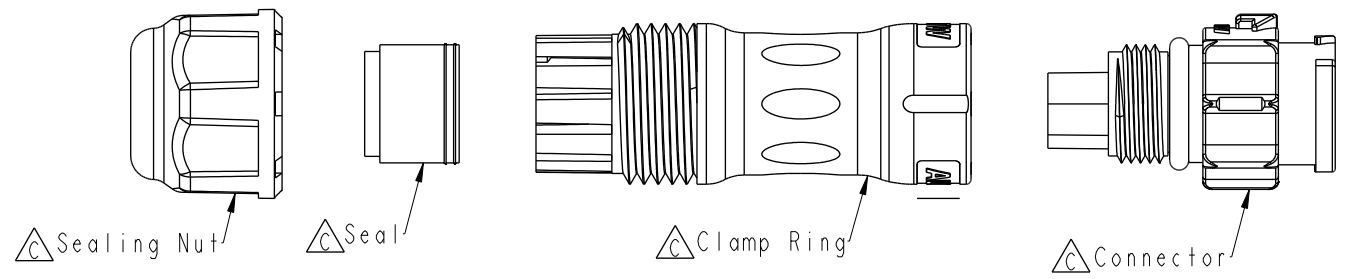
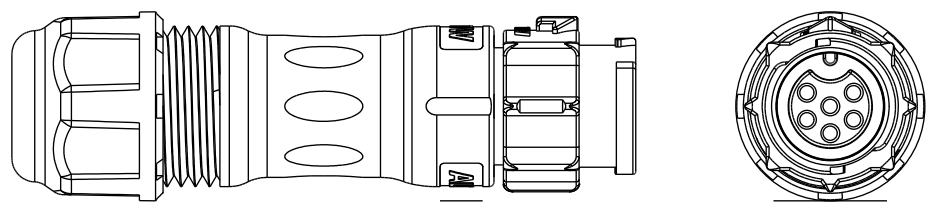


THIS DOCUMENT IS SUBJECT TO CHANGE WITHOUT NOTICE. IT IS CONFIDENTIAL AND A PROPERTY OF AMPHENOL LTW. DISCLOSURE TO THIRD PARTY HAS TO BE AUTHORIZED BY AMPHENOL LTW.

REV.	ECN NO.	DATE	SIGN	DESCRIPTION
C	C191760	2019/10/15	Jane	△C X5
D	C192023	2019/11/20	Vicky	△D X4
E	C200590	2020/05/05	Victor Hung	△E X2



- BD-XXBMFA-QL8XP0
- 02-2Pin
  - 03-3Pin
  - 04-4Pin
  - 05-5Pin
  - 06-6Pin
- △ S: With Red Color Seal 1, Cable OD 5.0~6.0mm.  
 △ M: With Yellow Color Seal 2, Cable OD 6.0~8.0mm.  
 △ L: With Blue Color Seal 3, Cable OD 8.0~10.0mm.  
 △ A: With Seal 1 & Seal 2 & Seal 3.



Pin Assignments Front View	2 Pin	3 Pin	4 Pin	5 Pin	6 Pin

- △D Note:
- \* Ⓞ Important Dimension
  - \* Waterproof Rate: IP68, Mated IP68: 1M Depth Of Water In 24hours
  - \* Housing: Thermoplastic, Black
  - \* Clamp Ring: Thermoplastic, Black
  - \* Sealing Nut: Thermoplastic, Black
  - \* Seals: Rubber

UNIT:mm		TITLE	XLOK, B-5A, CABLE W/O SR M, F, FI CRIMP, XLOK			ITEM NO	DRAWN BY	DATE	
TOLERANCE	±0.5mm	SCALE	1:1	SIZE	A4	SHEET	1	OF	1
REV.	E	WC-REV.	.0	Ⓞ: Inspection item		CUSTOMER	ALTW	APPROVED BY	Max Yang
<h1 style="text-align: center;">Amphenol LTW</h1> <p style="text-align: center;">安費諾亮泰企業股份有限公司</p>						DATE: 2020/05/05 CHECKED BY: Aric Ko DATE: 2020/05/05	DATE: 2020/05/05 DATE: 2020/05/05		