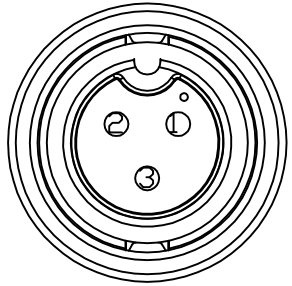
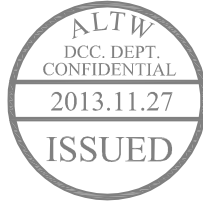
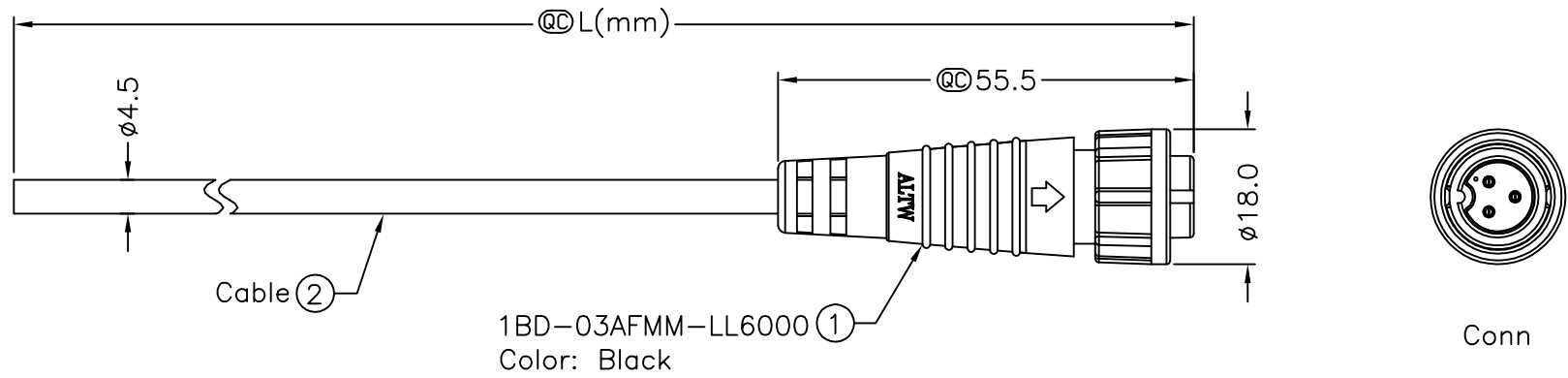


5	6	7	8
REV.	ECN NO.	DATE	SIGN

THIS DOCUMENT IS SUBJECT TO CHANGE WITHOUT NOTICE. IT IS CONFIDENTIAL AND A PROPERTY OF Amphenol LTW. DISCLOSURE TO THIRD PARTY HAS TO BE AUTHORIZED BY Amphenol LTW.



Pin Assignments
Front View

3	Black	黑
2	Blue	藍
1	Brown	棕
Conn.1	Wire Color	

Pin Out

1BD-03AFMM-LL6AXX

- XX :01~99Meters
- 01 :01 Meters
- 02 :02 Meters
- ...
- 99 :99 Meters

Cable Length(L):01~99Meters

- Note :
- * @C Important Dimension To Check.
 - * Waterproof Rate: IP66
 - * Housing: Nylon+GF, Black.
 - * Male Pin: Copper Alloy, Gold Plated.
 - * Cable: UL2464 24AWG*3C+D+AL/My
PVC Jacket UV Resistant, OD=4.5, Black.
 - * Cable Length Tolerance: 01M: ±40mm
02M~05M: ±60mm
06M~10M: ±100mm
11M~30M: ±200mm
31M~99M: ±500mm

UNIT:mm		TITLE	STANDARD CNC PIN	ITEM NO	DRAWN BY	Ruru	DATE	2013/11/18
TOLERANCE	±0.5 mm		CABLE LOCK 3PIN F CONN M PIN	DWG NO	CHECKED BY	Tony	DATE	2013/11/18
		SCALE	Free		APPROVED BY	Victor	DATE	2013/11/18
		SHEET	1 OF 1	CUSTOMER				
		REV.	A					
		SIZE	A4					
			@C :Inspection Item					

Amphenol LTW
安費諾亮泰企業股份有限公司