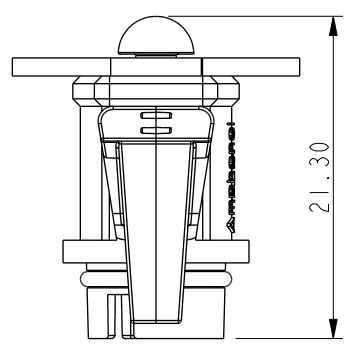
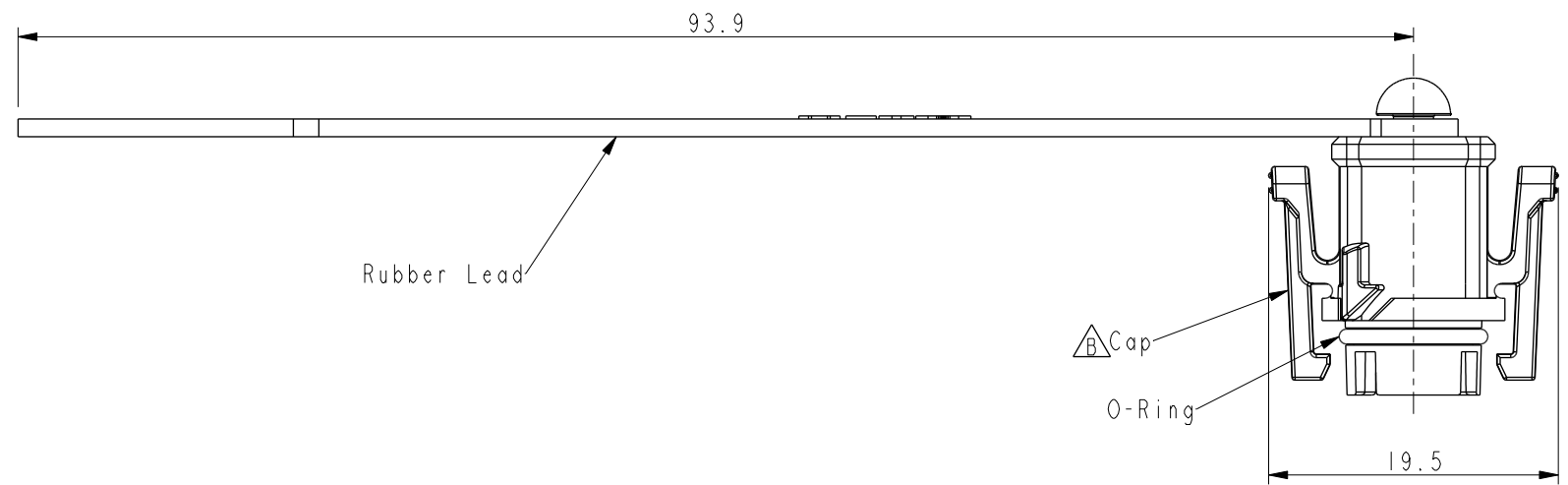


THIS DOCUMENT IS SUBJECT TO CHANGE WITHOUT NOTICE. IT IS CONFIDENTIAL AND A PROPERTY OF Amphenol LTW. DISCLOSURE TO THIRD PARTY HAS TO BE AUTHORIZED BY Amphenol LTW.

REV.	ECN NO.	DATE	SIGN	DESCRIPTION
A		2019/09/11	Gill Lai	Rev.01 To Rev.A
B	C200266	2020/04/16	Allen Pan	$\triangle B$ x2



- $\triangle B$ Note:
- * Cap:Thermoplastic, Black.
 - * O-Ring:Rubber, Gray.
 - * Rubber Lead:Rubber, Black.

UNIT:mm		
TOLERANCE ± 0.5		

TITLE X-Lok A-Size Waterproof Cap For Receptacle Male Conn.			
SCALE 2:1	SIZE A4	SHEET 1 OF 1	
REV. B	WC-REV. A.6	:Inspection item	

Amphenol LTW
安費諾亮泰企業股份有限公司

ITEM NO CAP-WAAMQPC1	DRAWN BY Gill Lai	DATE 2019/09/11
DWG NO CAP-WAAMQPC1	CHECKED BY Sam Ho	DATE 2019/09/11
CUSTOMER ALTW	APPROVED BY Fred Lee	DATE 2019/09/11