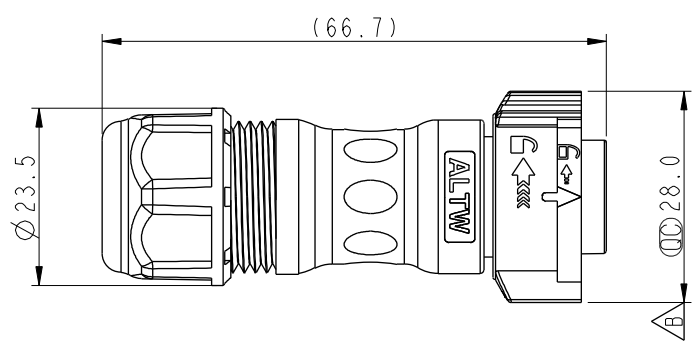
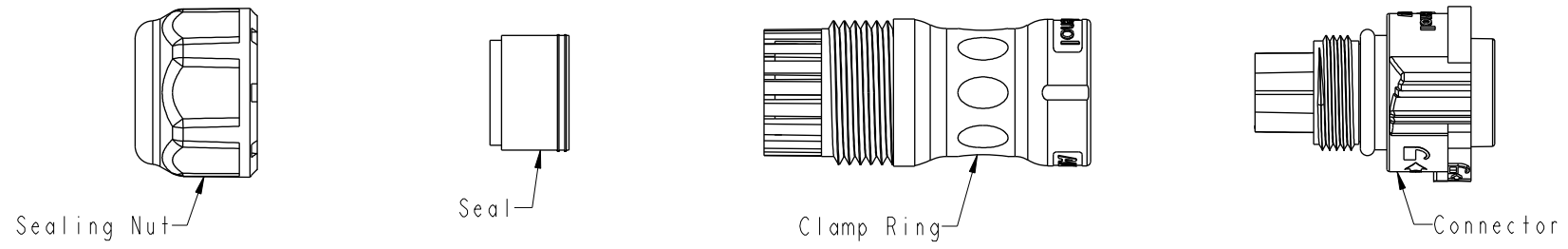


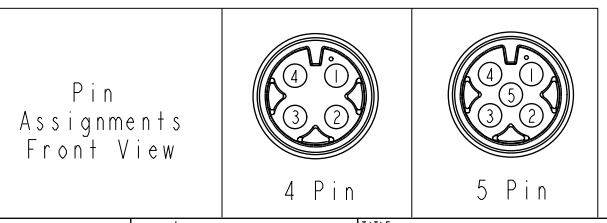
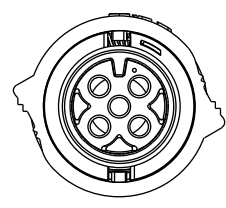
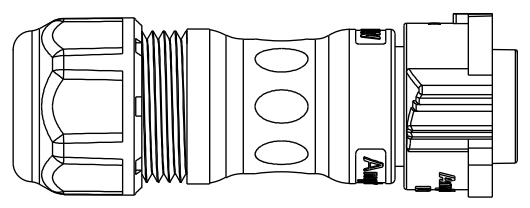
THIS DOCUMENT IS SUBJECT TO CHANGE WITHOUT NOTICE. IT IS CONFIDENTIAL AND A PROPERTY OF AMPHENOL LTW. DISCLOSURE TO THIRD PARTY HAS TO BE AUTHORIZED BY AMPHENOL LTW.

REV.	ECN NO.	DATE	SIGN	DESCRIPTION
B	E191825	2019/11/04	Ruru	$\triangle B$ X4



CB-XXBFMA-QL8XN0
 04-4 Pin
 05-5 Pin

S: With Red Color Seal 1, Cable OD 6.0~8.0mm.
 M: With Yellow Color Seal 2, Cable OD 8.0~10.0mm.
 L: With Blue Color Seal 3, Cable OD 10.0~12.0mm.
 A: With Seal 1 & Seal 2 & Seal 3.



$\triangle B$ Note:
 * \varnothing Important Dimension
 * Waterproof Rate: IP68, Mated
 IP68 : IM Depth Of Water In 24hours
 * Housing: Thermoplastic, Black
 * Clamp Ring: Thermoplastic, Black
 * Sealing Nut: Thermoplastic, Black
 * Seals: Rubber

UNIT:mm TOLERANCE ± 0.5 mm		TITLE XLOK, C-10A, CABLE W/O SR F, M, FI CRIMP, XLOK $\triangle B$		<h1>Amphenol LTW</h1> 安費諾亮泰企業股份有限公司	ITEM NO	DRAWN BY Ruru	DATE 2019-11-04	
		SCALE 33:100	SIZE A4		SHEET 1	DWG NO CB-XXBFMA-QL8XN0 $\triangle B$	CHECKED BY Rita	DATE 2019-11-04
		REV. B	WC-REV. A.1		\varnothing : Inspection item	CUSTOMER ALTW	APPROVED BY Max	DATE 2019-11-04