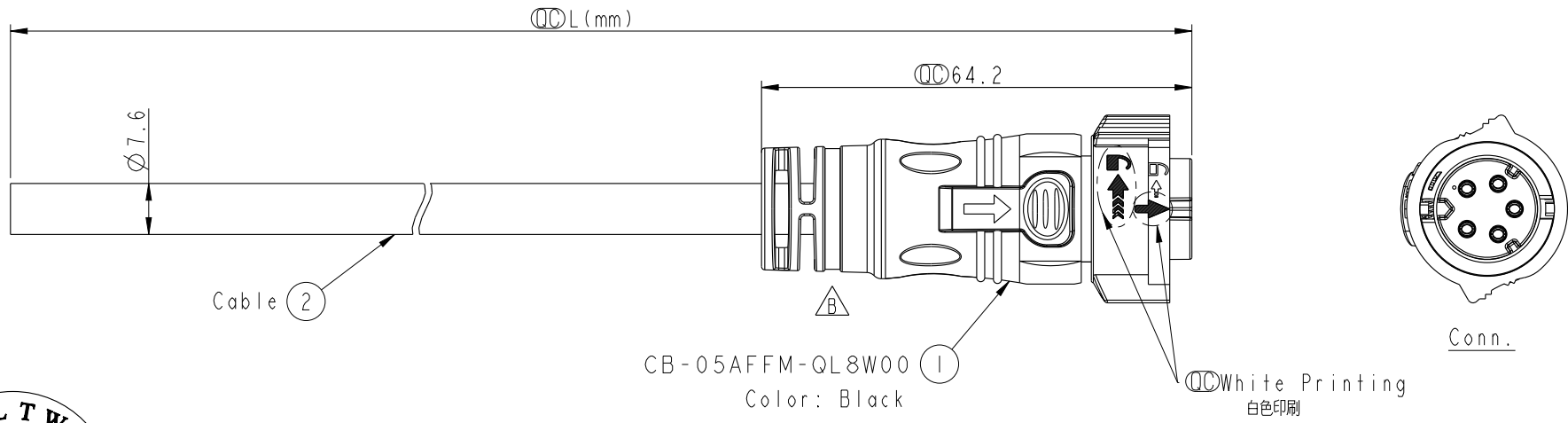
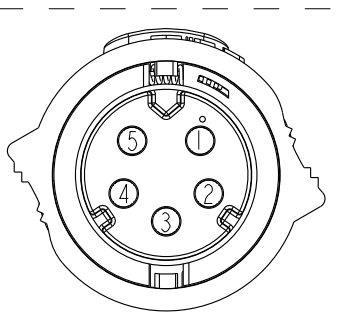


REV.	ECN NO.	DATE	SIGN	DESCRIPTION
B	LEN1720194	2017-02-20	Frank Deng	Change outer mold



ALTW
CONFIDENTIAL
2017-02-20
R&D DEPT.

ALTW
DCC. DEPT.
CONFIDENTIAL
2017.02.23
ISSUED




Pin Assignments
Front View

5	Yellow	黃
4	Orange	橙
3	Red	紅
2	Brown	棕
1	Black	黑
Conn.	Wire Color	
	Pin Out	

CB-05AFFM-QL8DXX
 ↑
 XX :01~99Meters
 01 :01Meter
 02 :02Meters
 :
 :
 99 :99Meters

- Note:
- * \varnothing Important Dimension To Check.
 - * Working Voltage Rating: AC 300 V
 - * Working Current Rating: 10A
 - * Flame Class: UL94V-0 (UV Resistance)
 - * Waterproof Rate: IP68(Mated).
In 1M water within 24 hours
 - * Housing: Nylon+GF, Black.
 - * Female Pin: Copper Alloy, Gold Plated
 - * Cable: UL21388 16AWG*5C+AL.Mylar
Black,PVC Jacket UV Resistant, OD=7.6
 - * Cable Length Tolerance: 01M:±40mm
02M~05M:±60mm
06M~10M:±100mm
11M~30M:±200mm
31M~99M:±500mm

UNIT:mm  
 TOLERANCE ±0.5

TITLE X Lok C-Size Cable 5Pin 10A F Conn. F Pin			
SCALE 1:1	SIZE A4	SHEET 1 OF 1	
REV. B	WC-REV. A.2	\varnothing : Inspection item	

Amphenol LTW
安費諾亮泰企業股份有限公司

ITEM NO	DRAWN BY Frank Deng	DATE 2017-02-20
DWG NO CB-05AFFM-QL8DXX	CHECKED BY Spring Liu	DATE 2017-02-20
CUSTOMER ALTW	APPROVED BY Kevin Hu	DATE 2017-02-20

THIS DOCUMENT IS SUBJECT TO CHANGE WITHOUT NOTICE. IT IS CONFIDENTIAL AND A PROPERTY OF Amphenol LTW. DISCLOSURE TO THIRD PARTY HAS TO BE AUTHORIZED BY Amphenol LTW.