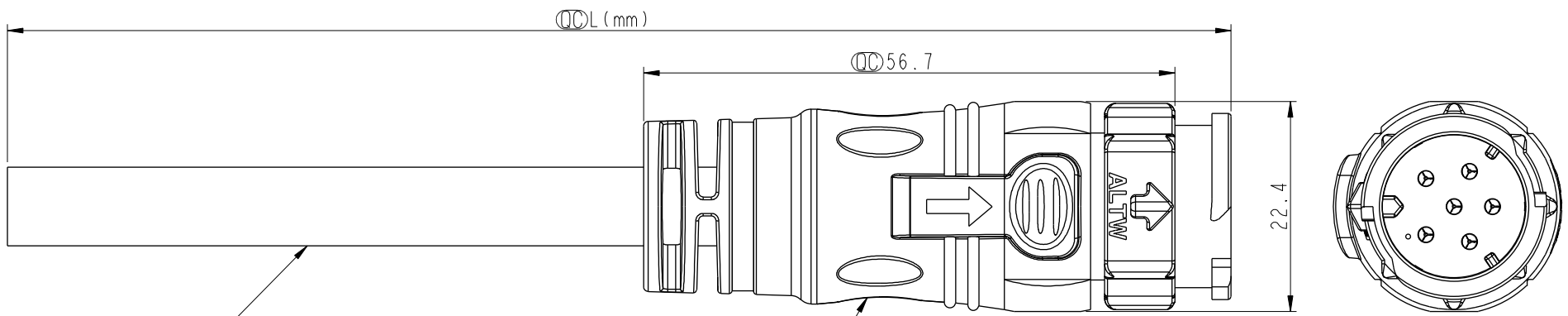


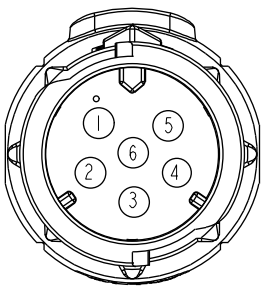
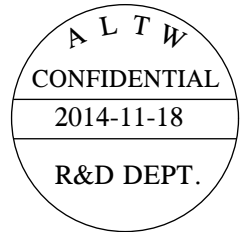
REV.	ECN NO.	DATE	SIGN	DESCRIPTION



Cable ②

CB-06AMMM-QL8W00 ①
Color: Black

Conn.



Pin Assignments
Front View

6	Green	綠
5	Yellow	黃
4	Orange	橙
3	Red	紅
2	Brown	棕
1	Black	黑
Conn.	Wire Color	
	Pin Out	

CB-06AMMM-QL8DXX

↑
XX : 01~99Meters
01 : 01Meter
02 : 02Meters
:
:
99 : 99Meters

- Note:
- * Ⓞ Important Dimension To Check.
 - * Working Voltage Rating: AC 300 V
 - * Working Current Rating: 10A
 - * Flame Class: UL94V-0 (UV Resistance)
 - * Waterproof Rate: IP68 (Mated).
 - * Housing: Nylon+GF, Black.
 - * Male Pin: Copper Alloy, Gold Plated
 - * Cable: UL21388 16AWG*6C+AL.Mylar Black,PVC Jacket UV Resistant, OD=8.4
 - * Cable Length Tolerance: 01M:±40mm
02M~05M:±60mm
06M~10M:±100mm
11M~30M:±200mm
31M~99M:±500mm

UNIT:mm
TOLERANCE ±0.5

TITLE X Lok C-Size Cable 6Pin 10A M Conn. M Pin			
SCALE 3:2	SIZE A4	SHEET 1 OF 1	
REV. A	WC-REV. A.4	Ⓞ: Inspection item	

Amphenol LTW
安費諾亮泰企業股份有限公司

ITEM NO	DRAWN BY Micky	DATE 2014-11-18
DWG NO CB-06AMMM-QL8DXX	CHECKED BY Spring	DATE 2014-11-18
CUSTOMER ALTW	APPROVED BY Kevin	DATE 2014-11-18

THIS DOCUMENT IS SUBJECT TO CHANGE WITHOUT NOTICE. IT IS CONFIDENTIAL AND A PROPERTY OF Amphenol LTW. DISCLOSURE TO THIRD PARTY HAS TO BE AUTHORIZED BY Amphenol LTW.