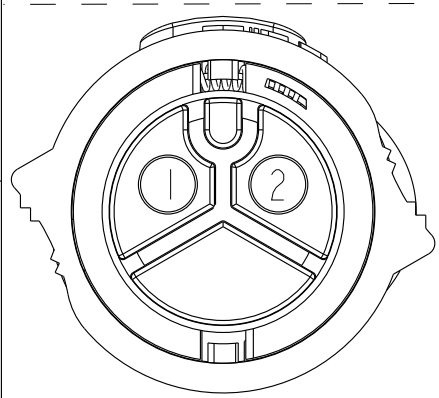
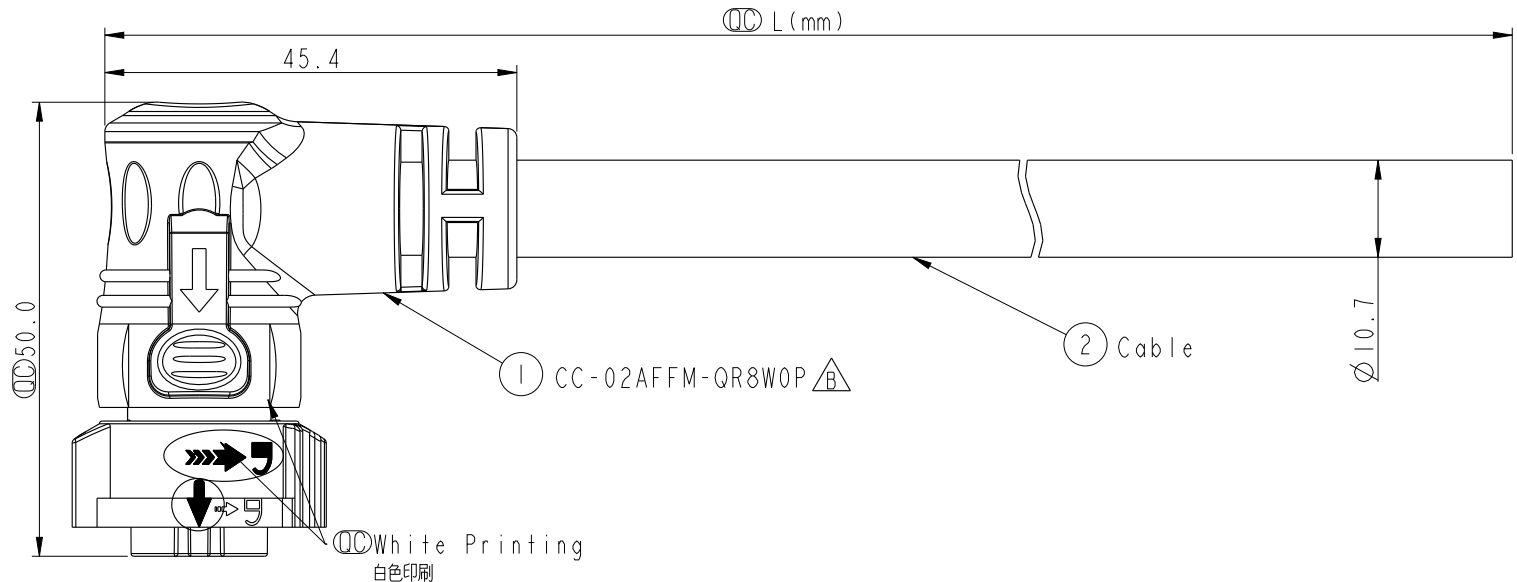


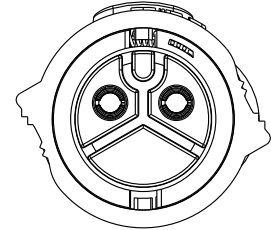
THIS DOCUMENT IS SUBJECT TO CHANGE WITHOUT NOTICE. IT IS CONFIDENTIAL AND A PROPERTY OF AMPHENOL LTW. DISCLOSURE TO THIRD PARTY HAS TO BE AUTHORIZED BY AMPHENOL LTW.

REV.	ECN NO.	DATE	SIGN	DESCRIPTION
B	LE31670032	2016-06-15	Tom Gu	Change Part No. of Half Finished
C	CI80151	2018-09-30	Frank	Change Wire Color

ALTW
CONFIDENTIAL
 2018-09-30
R&D DEPT.



Pin Assignments
Front View



Conn.

2	White	白	△
1	Black	黑	
Conn.	Wire Color		
	Pin Out		

CC-02AFFM-QR8EXX

- XX: 01~99Meters
- 01: 01Meter
- 02: 02Meters
- ...
- 99: 99Meters

Note:

- * CC Important Dimension To Check.
- * Working Voltage Rating: 300V AC
- * Working Current Rating: Max. 20A
- * B Waterproof Rate: IP68(Mated).
(in 1 meter water within 24 hours)
- * Connector: Nylon+GF, Black.
- * Female Pin: Copper Alloy, Gold Plated.
- * Lock Nut: Nylon+GF, Black.
- * Cable: SJTW 12WG*2C, Black, PVC Jacket, OD=10.7mm.
- * Cable Length Tolerance: 01M:±40mm
02M~05M:±60mm
06M~10M:±100mm
11M~30M:±200mm
31M~99M:±500mm

UNIT:mm		
TOLERANCE	±0.5	

TITLE X Lok C-Size 90° Cable 2 Pin 20A F Conn. F Pin			
SCALE 6:5	SIZE A4	SHEET 1 OF 1	
REV. C	WC-REV. A.5	CC : Inspection item	

Amphenol LTW
安費諾亮泰企業股份有限公司

ITEM NO	DRAWN BY Frank Deng	DATE 2018-09-30
DWG NO CC-02AFFM-QR8EXX	CHECKED BY Fisher Wang	DATE 2018-09-30
CUSTOMER ALTW	APPROVED BY Kevin_Hu	DATE 2018-09-30