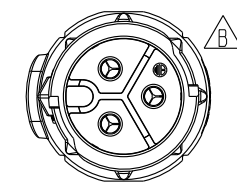
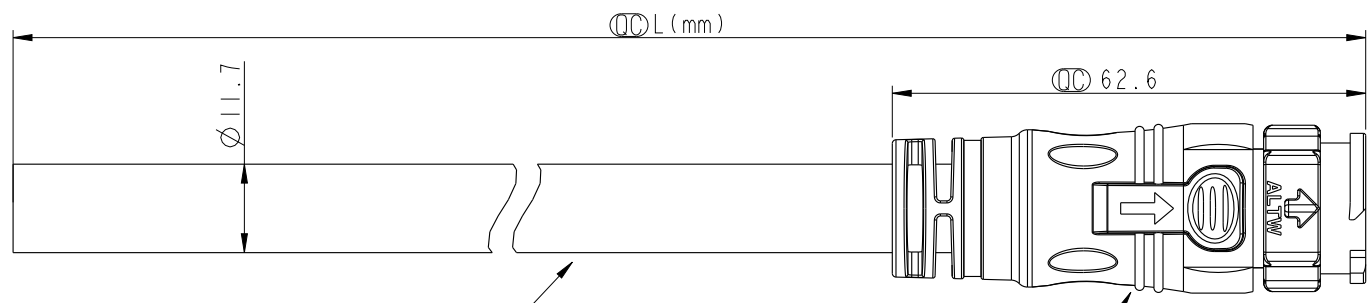


THIS DOCUMENT IS SUBJECT TO CHANGE WITHOUT NOTICE. IT IS CONFIDENTIAL AND A PROPERTY OF Amphenol LTW. DISCLOSURE TO THIRD PARTY HAS TO BE AUTHORIZED BY Amphenol LTW.

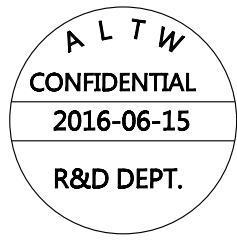
REV.	ECN NO.	DATE	SIGN	DESCRIPTION
B	LEN1650705	2016-04-16	Spring	Add ground pin
C	LE31670042	2016-06-15	Tom_Gu	Change Part No. of Half Finished



Conn.

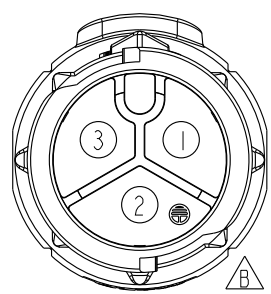
Cable ②

① CC-03AMMM-QL8WOP
Color: Black



CC-03AMMM-QL8EXX
 XX : 01~99Meters
 01 : 01Meter
 02 : 02Meters
 :
 :
 99 : 99Meters

- Note:
- * Ⓞ Important Dimension To Check.
 - * Working Voltage Rating: AC 300V
 - * Working Current Rating: 20A
 - * Waterproof Rate: IP68(Mated)
in 1 meter water within 24 hours
 - * Housing: Nylon+GF, Black
 - * Pin: Copper Alloy, Gold & Ni Plated
 - * Cable: SJTW 12AWG*3C, Black
PVC Jacket, OD=11.7mm.
 - * Cable Length Tolerance: 01M:±40mm
02M~05M:±60mm
06M~10M:±100mm
11M~30M:±200mm
31M~99M:±500mm



Pin Assignments
Front View

3	White	白
2	Green	綠
1	Black	黑
Conn.	Wire Color	
	Pin Out	

UNIT:mm		
TOLERANCE	.X ±0.25	
.XX	±0.1	
.XXX	±0.05	
ANGLES	±1°	

TITLE X-Lok C-Size Cable 3 Pin 20A M Conn. M Pin			
SCALE	1:1	SIZE	A4
REV.	C	WC-REV.	A.4
		Ⓞ	Inspection item

Amphenol LTW
安費諾亮泰企業股份有限公司

ITEM NO	DRAWN BY	DATE
	Tom_Gu	2016-06-15
DWG NO	CHECKED BY	DATE
CC-03AMMM-QL8EXX	Spring_Liu	2016-06-15
CUSTOMER	APPROVED BY	DATE
ALTW	Kevin_Hu	2016-06-15