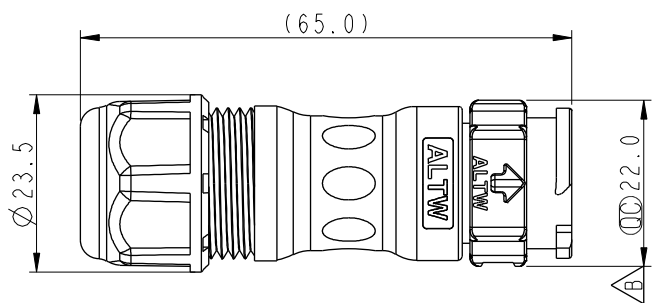
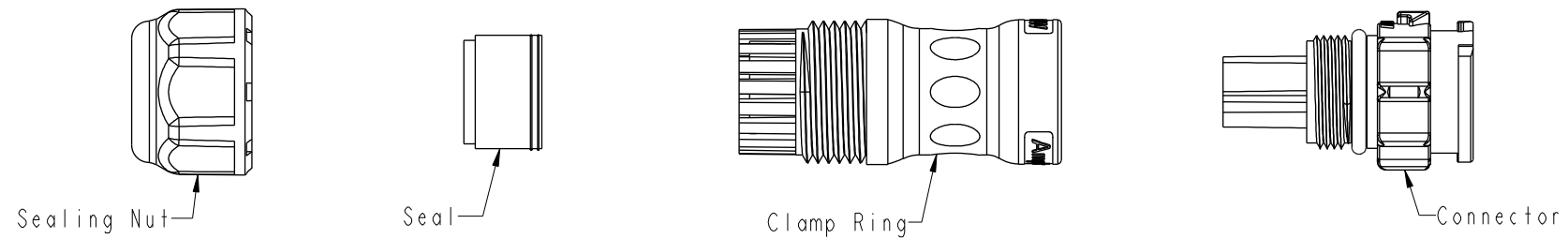


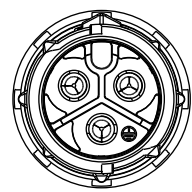
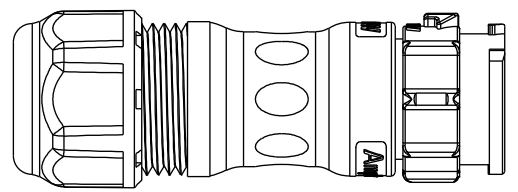
THIS DOCUMENT IS SUBJECT TO CHANGE WITHOUT NOTICE. IT IS CONFIDENTIAL AND A PROPERTY OF Amphenol LTW. DISCLOSURE TO THIRD PARTY HAS TO BE AUTHORIZED BY Amphenol LTW.

REV.	ECN NO.	DATE	SIGN	DESCRIPTION
B	E191899	2019/11/13	Ruru	$\triangle B$ X4

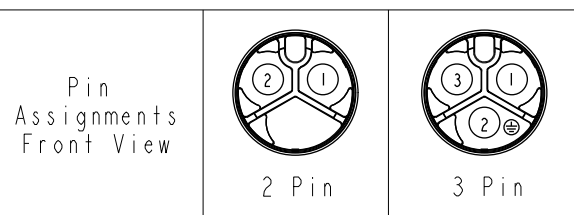


CC-XXBMMA-QL8XPP  
 02-2 Pin  
 03-3 Pin

S: With Red Color Seal 1, Cable OD 6.0~8.0mm.  
 M: With Yellow Color Seal 2, Cable OD 8.0~10.0mm.  
 L: With Blue Color Seal 3, Cable OD 10.0~12.0mm.  
 A: With Seal 1 & Seal 2 & Seal 3.



- $\triangle B$  Note:
- \*  $\text{CC}$  Important Dimension
  - \* Waterproof Rate: IP68, Mated  
IP68 : IM Depth Of Water In 24hours
  - \* Housing: Thermoplastic, Black
  - \* Pin: Copper Alloy, Gold Plated
  - \* Clamp Ring: Thermoplastic, Black
  - \* Sealing Nut: Thermoplastic, Black
  - \* Seals: Rubber



UNIT:mm TOLERANCE $\pm 0.5$ mm		TITLE XLOK, C-20A, CABLE W/O SR M, M, FI CRIMP, XLOK $\triangle B$	<h1>Amphenol LTW</h1> 安費諾亮泰企業股份有限公司		ITEM NO ALTW	DRAWN BY Ruru	DATE 2019-11-13
		SCALE 1:1	SIZE A4	SHEET 1 OF 1	DWG NO CC-XXBMMA-QL8XPP $\triangle B$	CHECKED BY Rita	DATE 2019-11-13
REV. B	WC-REV. A.1	$\text{CC}$ : Inspection item			CUSTOMER ALTW	APPROVED BY Max	DATE 2019-11-13