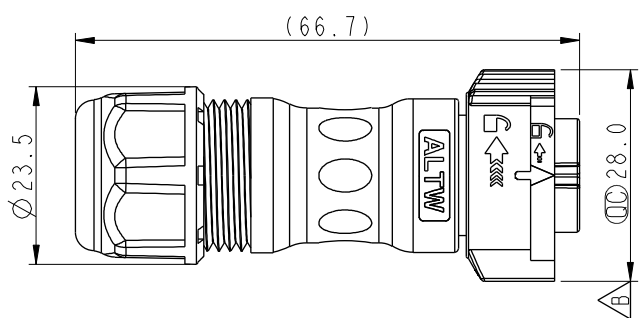
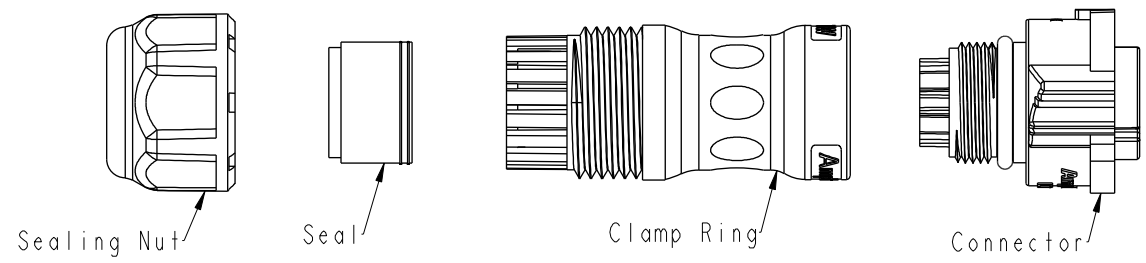


THIS DOCUMENT IS SUBJECT TO CHANGE WITHOUT NOTICE. IT IS CONFIDENTIAL AND A PROPERTY OF Amphenol LTW. DISCLOSURE TO THIRD PARTY HAS TO BE AUTHORIZED BY Amphenol LTW.

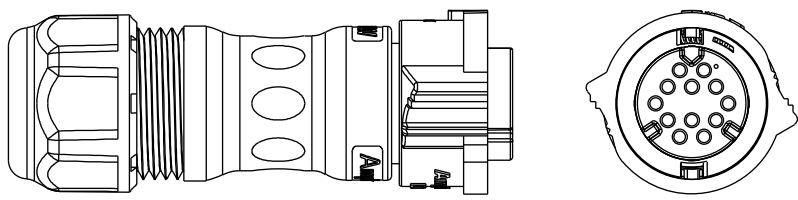
| REV. | ECN NO. | DATE | SIGN | DESCRIPTION |
|------|---------|------------|-------------|------------------------|
| A | | 2016/11/23 | Victor Hung | Change Rev.01 To Rev.A |
| B | CI92027 | 2019/11/21 | Vicky | $\triangle B$ X4 |



CD-XXBFFA-QL8XN0

08- 8Pin
 09- 9Pin
 10-10Pin
 12-12Pin

S: With Red Color Seal 1, Cable OD 6.0~8.0mm.
 M: With Yellow Color Seal 2, Cable OD 8.0~10.0mm.
 L: With Blue Color Seal 3, Cable OD 10.0~12.0mm.
 A: With Seal 1 & Seal 2 & Seal 3.



| Pin Assignments Front View | 8 Pin | 9 Pin | 10 Pin | 12 Pin |
|----------------------------|-------|-------|--------|--------|
| | | | | |

- $\triangle B$ Note:
- * \varnothing Important Dimension
 - * Waterproof Rate: IP68, Mated
IP68: 1M Depth Of Water In 24hours
 - * Housing: Thermoplastic, Black
 - * Clamp Ring: Thermoplastic, Black
 - * Sealing Nut: Thermoplastic, Black
 - * Seals: Rubber

| | | | | | | | | | |
|--------------------------------------|---|--|--------------------------------------|--|----------------|-------------------------|--|-------------------------|--------------------|
| UNIT:mm TOLERANCE ± 0.5 mm | TITLE XLOK, C-5A, CABLE W/O SR F, F, FI CRIMP, XLOK | | Amphenol LTW 安費諾亮泰企業股份有限公司 | | ITEM NO | DRAWN BY Victor Hung | DATE 2016-11-23 | | |
| | SCALE 1:1 | | | | SIZE A4 | SHEET 1 OF 1 | DWG NO CD-XXBFFA-QL8XN0 $\triangle B$ | CHECKED BY Wes Fan | DATE 2016-11-23 |
| | REV. B | | | | WC-REV. A.5 | QC: Inspection item | CUSTOMER ALTW | APPROVED BY Kevin Hu | DATE 2016-11-23 |