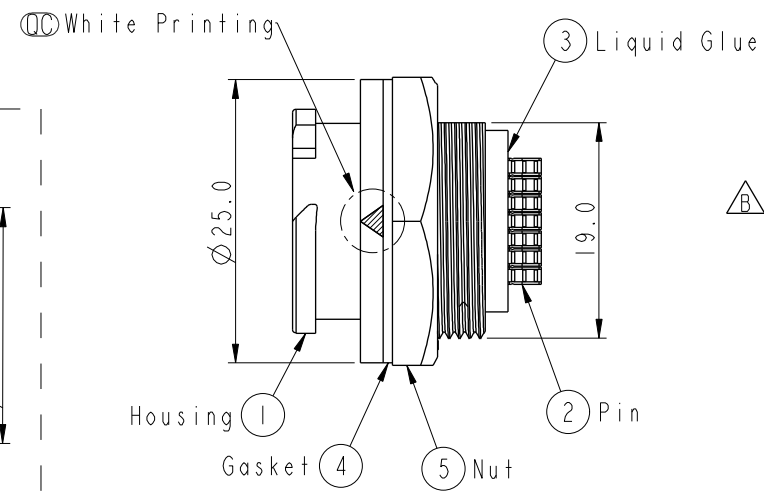
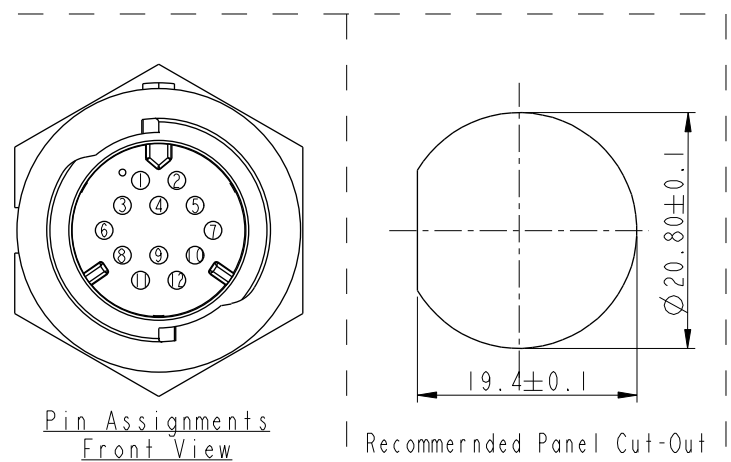
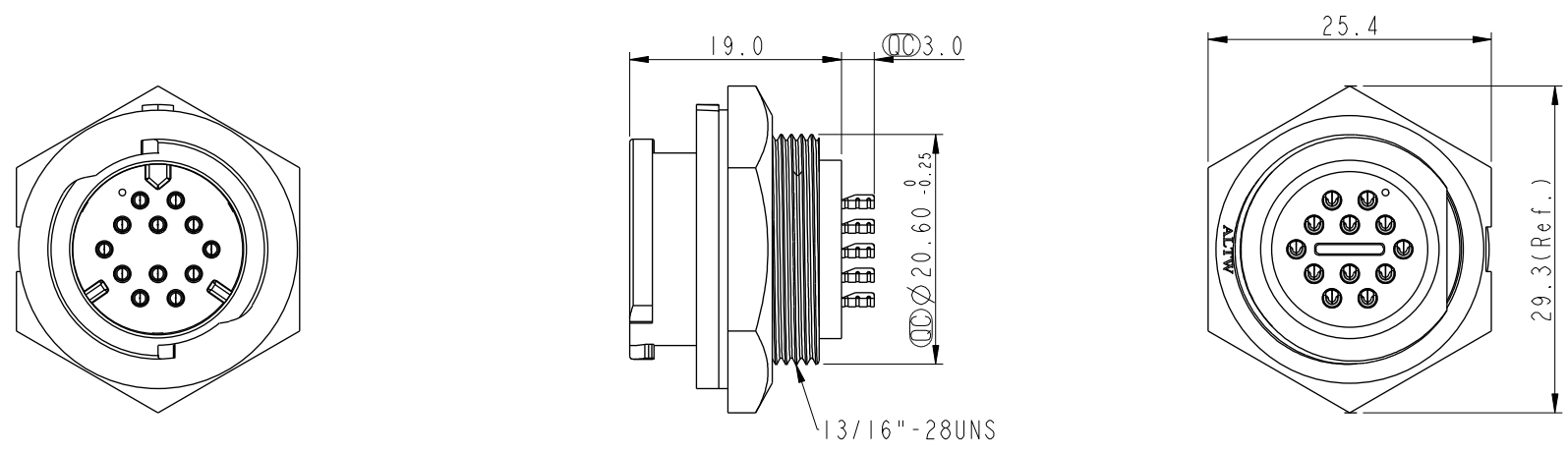


THIS DOCUMENT IS SUBJECT TO CHANGE WITHOUT NOTICE. IT IS CONFIDENTIAL AND A PROPERTY OF AMPHENOL LTW. DISCLOSURE TO THIRD PARTY HAS TO BE AUTHORIZED BY AMPHENOL LTW.

REV.	ECN NO.	DATE	SIGN	DESCRIPTION
B	C190470	2019/03/21	Vicky	Change Note

ALTW
 CONFIDENTIAL
 2019-03-21
 R&D DEPT.



- Note:**
- * \varnothing Important Dimension To Check.
 - * Waterproof Rate: IP68, Unmated.
In 1 meter water within 24 hours
 - * Housing: Thermoplastic, Black.
 - * Pin: Copper Alloy, Gold Plated.
 - * Nut: Thermoplastic, Black.
 - * Gasket: Rubber, Gray.
 - * Panel Thickness Max: 4.2mm
 - * Gasket and Nut are packed separately in PE bags.

UNIT: mm TOLERANCE .X ±0.25 .XX ±0.1 .XXX ±0.05 ANGLES ±1°	TITLE X-Lok C Size Receptacle Rear 12Pin M Conn. M Pin			Amphenol LTW 安費諾亮泰企業股份有限公司		ITEM NO CD-12RMMS-OC8001	DRAWN BY Vicky	DATE 2019-03-21
	SCALE 3:2	SIZE A4	SHEET 1 OF 1			DWG NO CD-12RMMS-OC8001	CHECKED BY Rita	DATE 2019-03-21
REV. B	WC-REV. A.2	\varnothing Inspection item	CUSTOMER ALTW	APPROVED BY Max	DATE 2019-03-21			