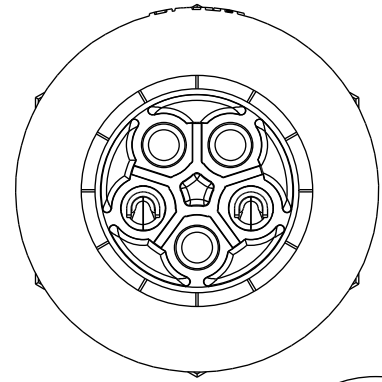
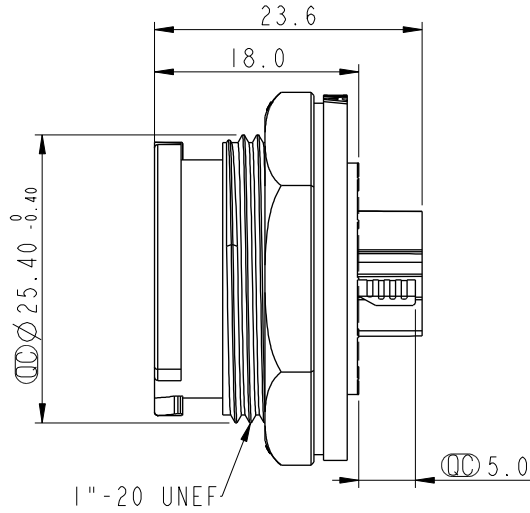
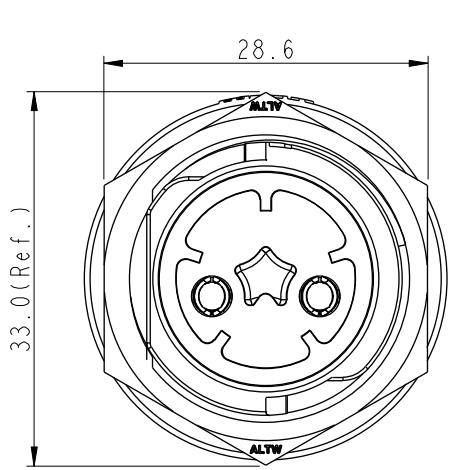


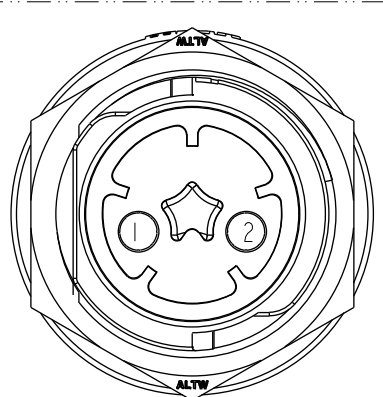
REV.	ECN NO.	DATE	SIGN	DESCRIPTION
A	Initial Release	2016/05/18	Wes	Change Rev.01 To Rev.A
B	CI90403	2019/03/12	Vicky	Change Note



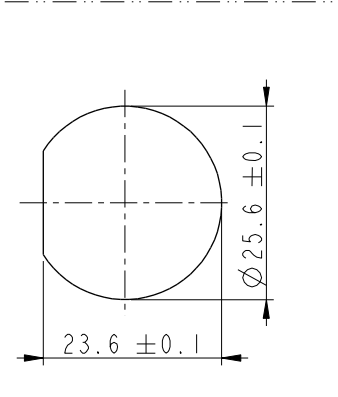
ALTW
CONFIDENTIAL
2019-03-12
R&D DEPT.

⊕ White Printing

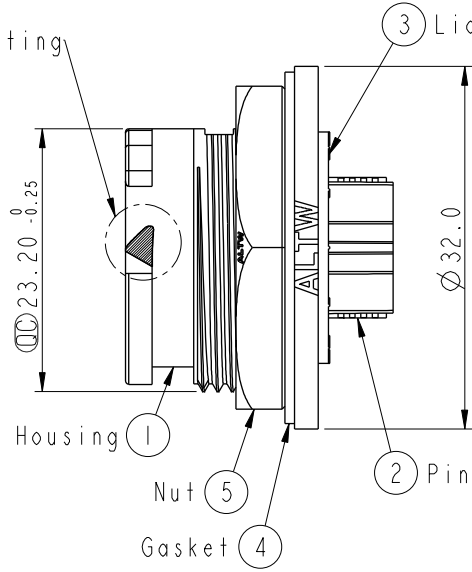
③ Liquid Glue



Pin Assignments
Front View



Recommended Panel
Cut-Out



- Note:**
- * ⊕ Important Dimension To Check.
 - * Waterproof Rate: IP68, Unmated.
In 1 meters water within 24hours.
 - * Housing: Thermoplastic, Black.
 - * Pin: Copper Alloy, Gold Plated.
 - * Nut: Thermoplastic, Black.
 - * Gasket: Rubber, Gray.
 - * Use Without Waterproof Cap
Panel Thickness Max: 3.6mm
 - * Use With Waterproof Cap
Panel Thickness Max: 2.6mm
 - * Gasket and Nut are packed separately in PE bags.

UNIT:mm		TITLE X-Lok D Size 20A(For Power) Receptacle Front 2P M Conn F Pin			<h1 style="margin: 0;">Amphenol LTW</h1> <p style="margin: 0;">安費諾亮泰企業股份有限公司</p>		ITEM NO DC-02PMFS-QC800P	DRAWN BY Vicky	DATE 2019-03-12
		TOLERANCE .X ±0.25 .XX ±0.1 .XXX ±0.05 ANGLES ±1°	SCALE 3:2	SIZE A4			SHEET 1 OF 1	DWG NO DC-02PMFS-QC800P	CHECKED BY Rita
REV. B		WC-REV. A.2	⊕: Inspection item		CUSTOMER ALTW	APPROVED BY Max	DATE 2019-03-12		

THIS DOCUMENT IS SUBJECT TO CHANGE WITHOUT NOTICE. IT IS CONFIDENTIAL AND A PROPERTY OF Amphenol LTW. DISCLOSURE TO THIRD PARTY HAS TO BE AUTHORIZED BY Amphenol LTW.