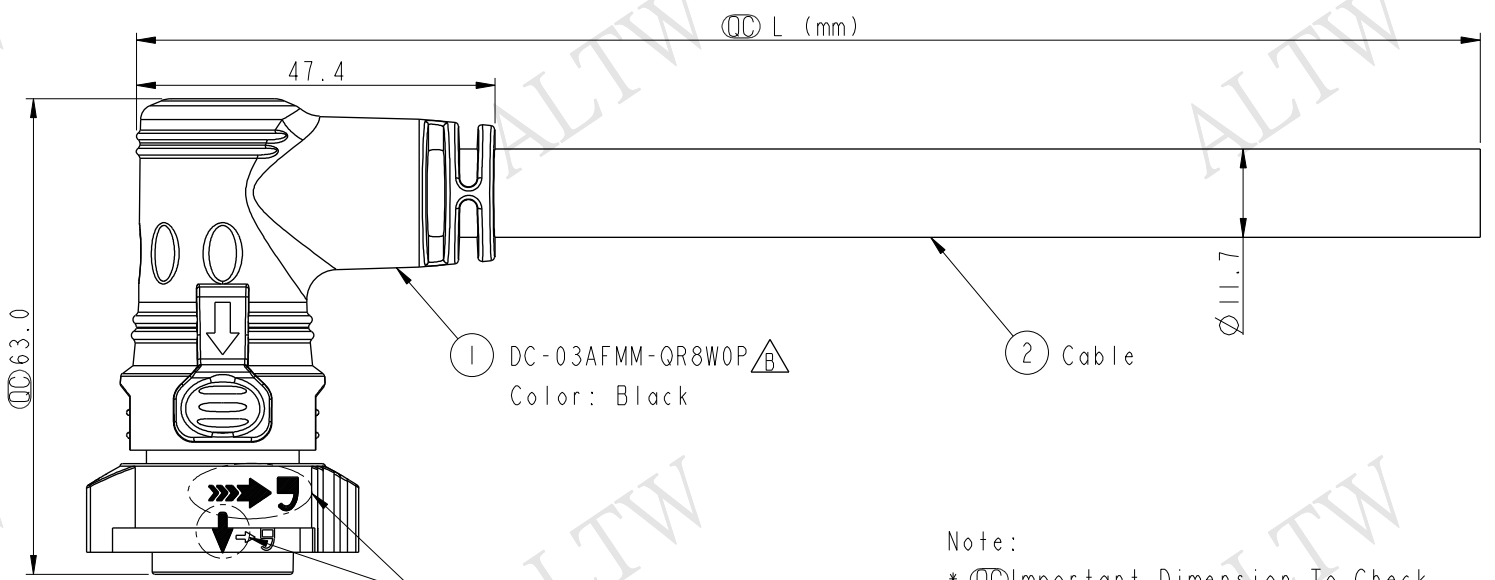
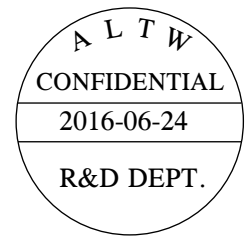
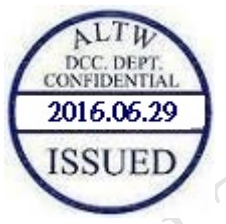


THIS DOCUMENT IS SUBJECT TO CHANGE WITHOUT NOTICE. IT IS CONFIDENTIAL AND A PROPERTY OF Amphenol LTW. DISCLOSURE TO THIRD PARTY HAS TO BE AUTHORIZED BY Amphenol LTW.

REV.	ECN NO.	DATE	SIGN	DESCRIPTION
A	Initial Release	2016-02-16	Wes	Change Rev.01 To Rev.A
B	LE31660488	2016-06-24	Wes	Change Part NO. of Half-finished



① DC-03AFMM-QR8WOP  $\triangle$   
Color: Black

② Cable

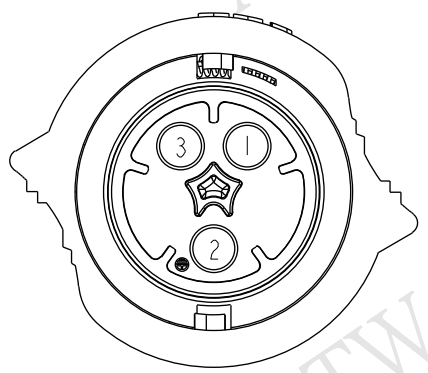
③ Printing White  
白色印刷

DC-03AFMM-QR8E XX

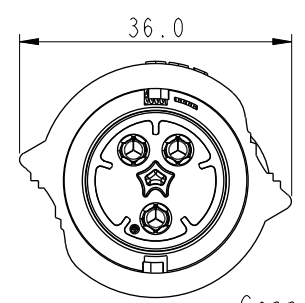
XX :01~99Meters  
01 :01Meter  
02 :02Meters  
.....  
99 :99Meters

Cable Length(L):01~99Meters

- Note:
- \*  $\textcircled{L}$  Important Dimension To Check.
  - \* Working Voltage Rating: AC 300V
  - \* Working Current Rating: Max. 20A
  - \* Waterproof Rate: IP68(Mated)  
In 1 meters water within 24hours.
  - \* Housing: Nylon+GF, Black(UV Resistance)
  - \* Male Pin: Copper Alloy, Gold & Ni Plated
  - \* Cable: SJTW 12AWG\*3C, PVC Jacket,  
OD=11.7, Black.
  - \* Cable Length Tolerance:01M:±40mm  
02M~05M:±60mm  
06M~10M:±100mm  
11M~30M:±200mm  
31M~99M:±500mm



Pin Assignments  
Front View



Conn.

3	Green	綠
2	White	白
1	Black	黑
Conn.	Wire Color	

Pin Out

UNIT:mm	
TOLERANCE	±0.5

TITLE X-Lok D Size Cable Molding 3Pin F Connector M Pin(20A)			
SCALE 1:1	SIZE A4	SHEET 1 OF 1	
REV. B	WC-REV. A.5	$\textcircled{L}$ : Inspection item	

**Amphenol LTW**  
安費諾亮泰企業股份有限公司

ITEM NO	DRAWN BY Wes Fan	DATE 2016-06-24
DWG NO DC-03AFMM-QR8EXX	CHECKED BY Spring Liu	DATE 2016-06-24
CUSTOMER ALTW	APPROVED BY Kevin Hu	DATE 2016-06-24