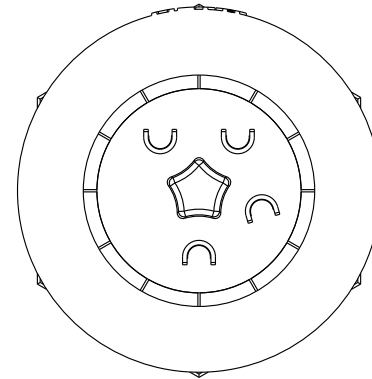
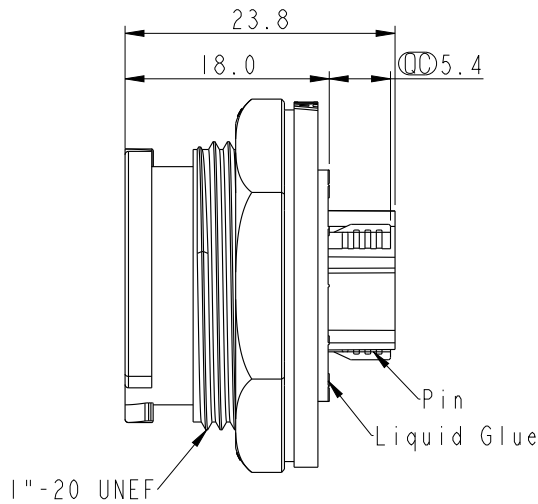
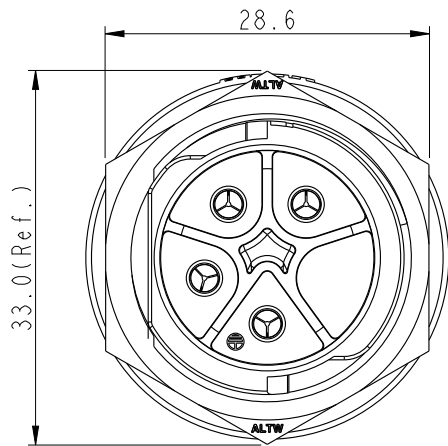
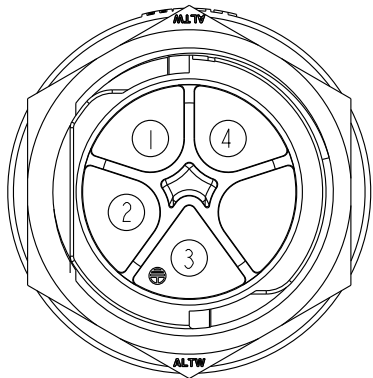
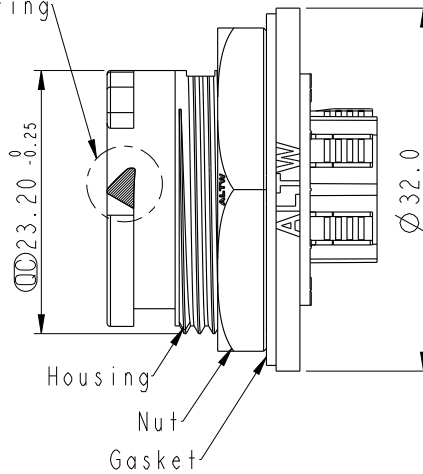


REV.	ECN NO.	DATE	SIGN	DESCRIPTION
B	C211517	2021-09-28	Fu	△B*1

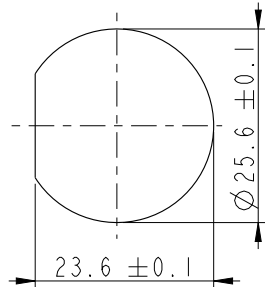


ALTW
CONFIDENTIAL
 2021-09-28
 R&D DEPT.

⊘ White Printing



Pin Assignments
Front View



Recommended Panel
Cut-Out

Note:

- * ⊘ Important Dimension.
- * Waterproof Rate: IPX8, Unmated 1m/24h.
- * Housing: Thermoplastic, Black.
- * Male Pin: Copper Alloy, Gold Plated.
- * Gasket: Rubber, Gray.
- * Nut: Thermoplastic, Black.
- * Use Without Waterproof Cap
Panel Thickness Max: 3.6mm
- * Use With Waterproof Cap
Panel Thickness Max: 2.6mm
- △B * Gasket and nut are packed separately in PE bags.

UNIT:mm		
TOLERANCE	.X ±0.25	
.XX ±0.1		
.XXX ±0.05		
ANGLES	±1°	

TITLE X-Lok D Size 20A(For Power) Receptacle Front 4P M Conn M Pin			
SCALE 3:2	SIZE A4	SHEET 1 OF 1	
REV. B	WC-REV. .0	⊘: Inspection item	

Amphenol LTW
 安費諾亮泰企業股份有限公司

ITEM NO DC-04PMMS-QC800P	DRAWN BY Fu	DATE 2021-08-18
DWG NO DC-04PMMS-QC800P	CHECKED BY Feng li	DATE 2021-08-18
CUSTOMER ALTW	APPROVED BY Jerry	DATE 2021-08-18

THIS DOCUMENT IS SUBJECT TO CHANGE WITHOUT NOTICE. IT IS CONFIDENTIAL AND A PROPERTY OF Amphenol LTW. DISCLOSURE TO THIRD PARTY HAS TO BE AUTHORIZED BY Amphenol LTW.