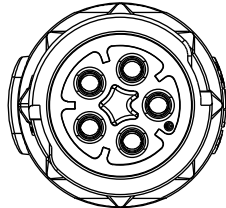
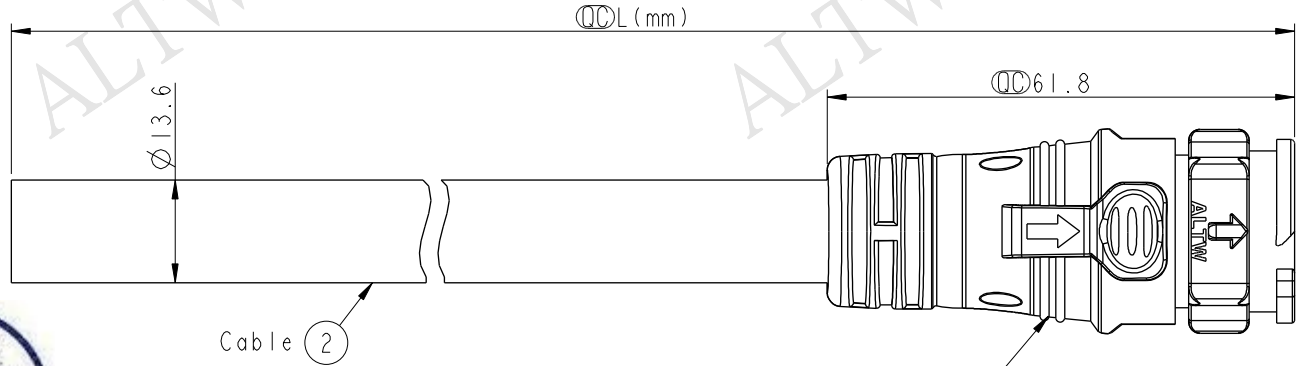


REV.	ECN NO.	DATE	SIGN	DESCRIPTION
A	Initial Release	2016-02-16	Wes	Change Rev.01 To Rev.A
B	LE31660490	2016-06-24	Wes	Change Part NO. of Half-finished



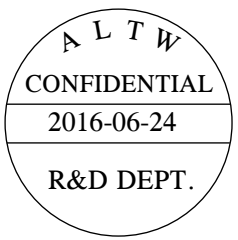
Conn.



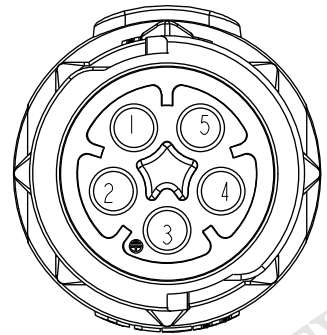
Cable ②

△ DC-05AMFM-QL8W0P ①
Color: Black

- Note:
- * Ⓞ Important Dimension To Check.
 - * Working Voltage Rating: AC 300V
 - * Working Current Rating: Max. 20A
 - * Waterproof Rate: IP68(Mated)
In 1 meters water within 24hours.
 - * Housing: Nylon+GF, Black(UV Resistance)
 - * Female Pin: Copper Alloy, Gold & Ni Plated
 - * Cable: SJTW 12AWG*5C, PVC Jacket,
OD=13.6, Black.
 - * Cable Length Tolerance: 01M:±40mm
02M~05M:±60mm
06M~10M:±100mm
11M~30M:±200mm
31M~99M:±500mm



DC-05AMFM-QL8EXX
 XX :01~99Meters
 01 :01Meter
 02 :02Meters
 :
 :
 :
 99 :99Meters
 Cable Length(L):01~99Meters



Pin Assignments
Front View

5	Brown	棕
4	Red	紅
3	Green	綠
2	White	白
1	Black	黑
Conn.	Wire Color	
	Pin Out	

UNIT:mm		TITLE		ITEM NO		DRAWN BY		DATE	
TOLERANCE ±0.5		X-Lok D Size Cable Molding 5Pin M Connector F Pin(20A)		DC-05AMFM-QL8EXX		Wes Fan		2016-06-24	
SCALE 1:1		SIZE A4		DWC NO		CHECKED BY		DATE	
REV. B		WC-REV. A.5		ALTW		Spring Liu		2016-06-24	
		③: Inspection item		CUSTOMER		APPROVED BY		DATE	
				ALTW		Kevin Hu		2016-06-24	
								8 FMM10702-01-02A1	

Amphenol LTW
安費諾亮泰企業股份有限公司

THIS DOCUMENT IS SUBJECT TO CHANGE WITHOUT NOTICE. IT IS CONFIDENTIAL AND A PROPERTY OF Amphenol LTW. DISCLOSURE TO THIRD PARTY HAS TO BE AUTHORIZED BY Amphenol LTW.