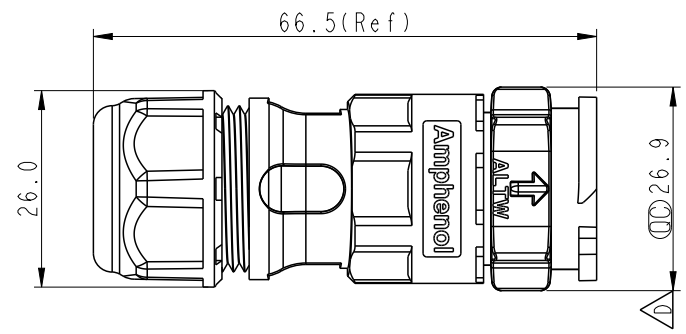
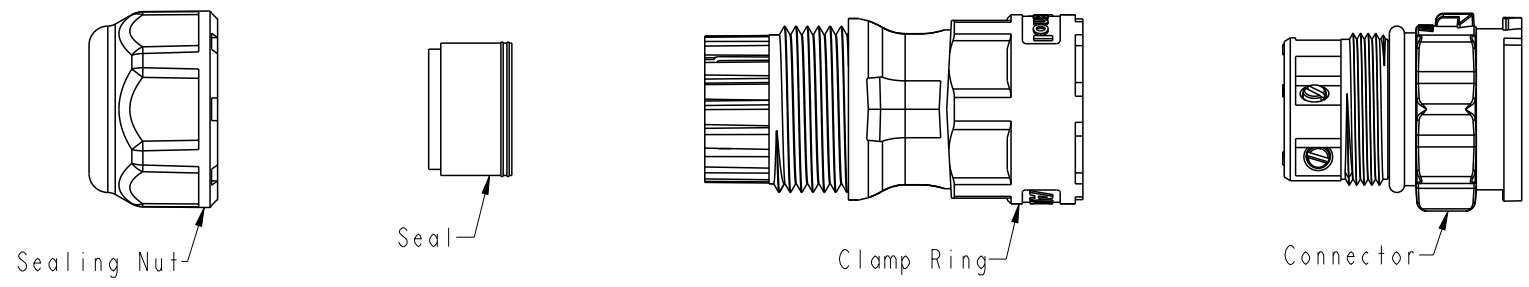


THIS DOCUMENT IS SUBJECT TO CHANGE WITHOUT NOTICE. IT IS CONFIDENTIAL AND A PROPERTY OF Amphenol LTW. DISCLOSURE TO THIRD PARTY HAS TO BE AUTHORIZED BY Amphenol LTW.

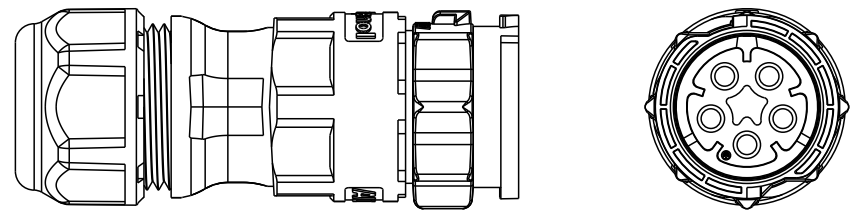
REV.	ECN NO.	DATE	SIGN	DESCRIPTION
C	C191385	2019/08/02	Siou	Revise Rated Voltage.
D	E191814	2019/10/24	Ruru	△D x 3
E	C210786	2021/06/06	Angel Chou	△E x 5



DC-XXBMFB-QL8XPP

02-2 Pin
 03-3 Pin
 △B 04-4 Pin
 05-5 Pin

S: With Red Color Seal 1, Cable OD 8.0~10.0mm.
 M: With Yellow Color Seal 2, Cable OD 10.0~12.0mm.
 L: With Blue Color Seal 3, Cable OD 12.0~14.0mm.
 A: With Seal 1 & Seal 2 & Seal 3.



△D △E Note:

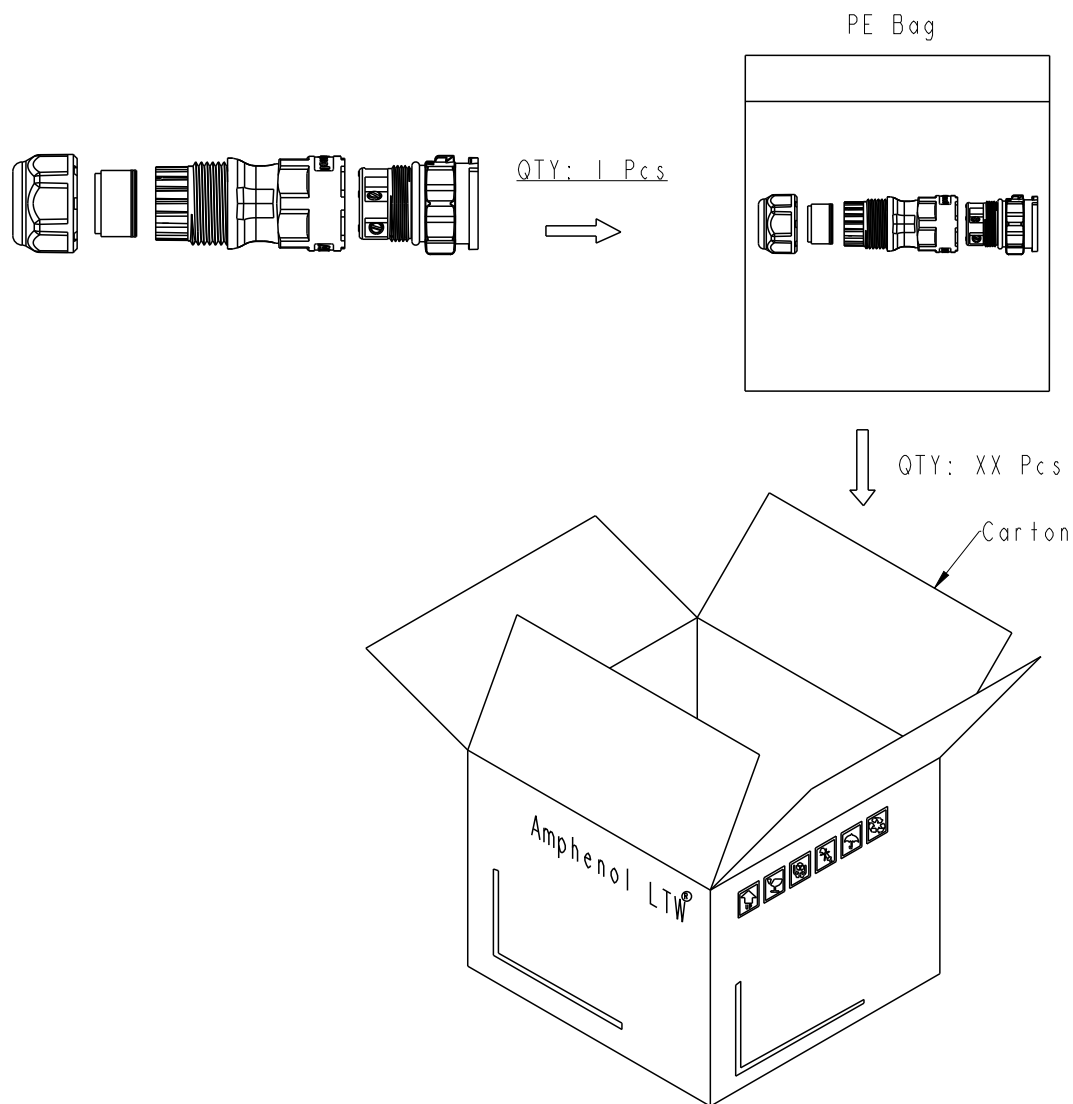
- * RoHS Compliant
- * ⌀ Important Dimension
- * Waterproof Rate: IPX8, Mated 1m/24h
- * Connector
- Housing: Thermoplastic, Black
- Pin: Copper Alloy, Gold Plated
- Clamp Ring: Thermoplastic, Black
- Sealing Nut: Thermoplastic, Black
- Seals: Rubber

Pin Assignments Front View	2 Pin	3 Pin	4 Pin	5 Pin

UNIT:mm		TITLE XLOK, D-20A, 03P, CABLE W/O SR M, F, FI SCREW IN, XLOK △D		ITEM NO		DRAWN BY Siou		DATE 2019-08-02		
TOLERANCE ±0.5 mm		SCALE 8:5	SIZE A4	SHEET 1 OF 2		DWG NO DC-XXBMFB-QL8XPP		CHECKED BY Eagle		DATE 2019-08-02
		REV. E	WC-REV. A.3	QC: Inspection item		CUSTOMER ALTW		APPROVED BY Neo		DATE 2019-08-02

Amphenol LTW
 安費諾亮泰企業股份有限公司

THIS DOCUMENT IS SUBJECT TO CHANGE WITHOUT NOTICE. IT IS CONFIDENTIAL AND A PROPERTY OF Amphenol LTW. DISCLOSURE TO THIRD PARTY HAS TO BE AUTHORIZED BY Amphenol LTW.



Note:
 * One Set Unassembled In One PE Bag.
 (每一組未組裝，放置於一個PE袋，並封口，如圖示)
 * Label is Attached To PE Bag Front.
 (標籤貼在PE袋正面)

UNIT:mm TOLERANCE ±0.5 mm	TITLE XLOK, D-20A, 03P, CABLE W/O SR M, F, FI SCREWIN, XLOK		 Amphenol LTW 安費諾亮泰企業股份有限公司		ITEM NO	DRAWN BY Siou	DATE 2019-08-02	
	SCALE 8:5	SIZE A4			SHEET 2 OF 2	DWG NO DC-XXBMFB-QL8XPP	CHECKED BY Eagle	DATE 2019-08-02
	REV. E	WC-REV. A.3			☉: Inspection item	CUSTOMER ALTW	APPROVED BY Neo	DATE 2019-08-02