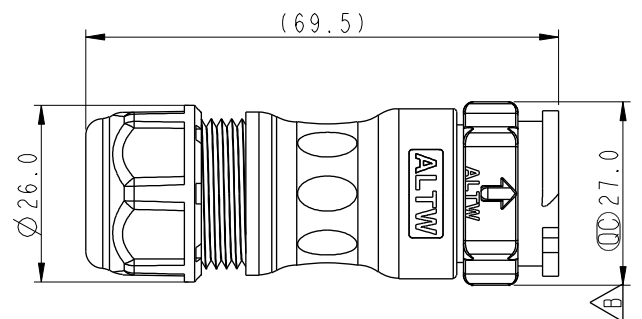
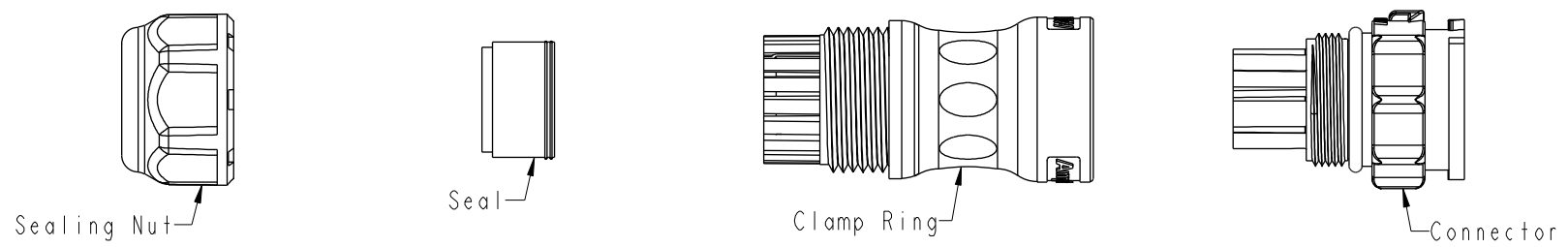


THIS DOCUMENT IS SUBJECT TO CHANGE WITHOUT NOTICE. IT IS CONFIDENTIAL AND A PROPERTY OF AMPHENOL LTW. DISCLOSURE TO THIRD PARTY HAS TO BE AUTHORIZED BY AMPHENOL LTW.

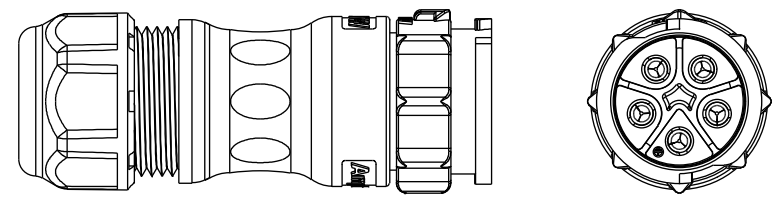
REV.	ECN NO.	DATE	SIGN	DESCRIPTION
B	E191899	2019/11/19	Ruru	$\triangle B$ X4



DC-XXBMMA-QL8XPP

02-2 Pin  
03-3 Pin  
05-5 Pin

S: With Red Color Seal 1, Cable OD 6.0~8.0mm.  
M: With Yellow Color Seal 2, Cable OD 8.0~10.0mm.  
L: With Blue Color Seal 3, Cable OD 10.0~12.0mm.  
A: With Seal 1 & Seal 2 & Seal 3.



- $\triangle B$  Note:
- \*  $\varnothing$  Important Dimension
  - \* Waterproof Rate: IP68, Mated  
IP68 : 1M Depth Of Water In 24hours
  - \* Housing: Thermoplastic, Black
  - \* Pin: Copper Alloy, Gold Plated
  - \* Clamp Ring: Thermoplastic, Black
  - \* Sealing Nut: Thermoplastic, Black
  - \* Seals: Rubber

Pin Assignments Front View	2 Pin	3 Pin	5 Pin

UNIT:mm		TITLE	XLOK, D-20A, CABLE W/O SR M, M, FI CRIMP, XLOK $\triangle B$	
TOLERANCE	$\pm 0.5$ mm	SCALE	1:1	SHEET 1 OF 1
REV.	B	WC-REV.	.0	$\varnothing$ : Inspection item

**Amphenol LTW**  
安費諾亮泰企業股份有限公司

ITEM NO	DWG NO	CUSTOMER	DRAWN BY	CHECKED BY	APPROVED BY	DATE
	DC-XXBMMA-QL8XPP $\triangle B$	ALTW	Ruru	Rita	Max	2019-11-19