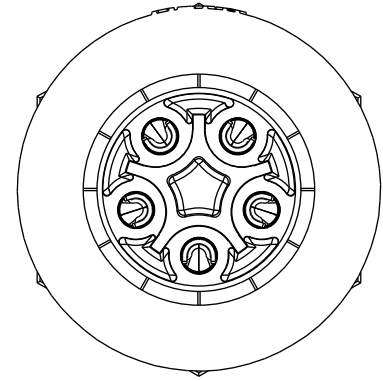
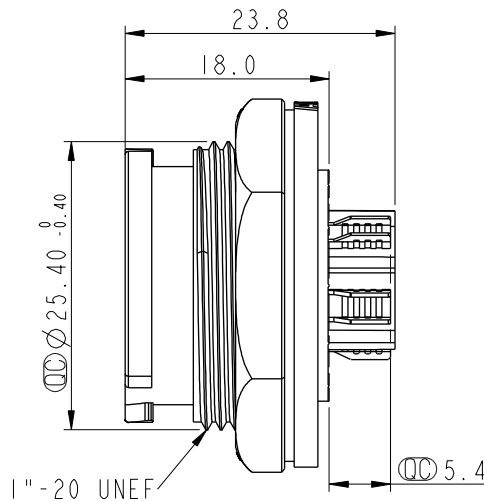
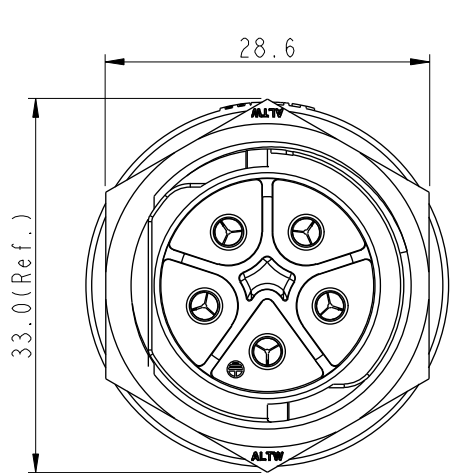


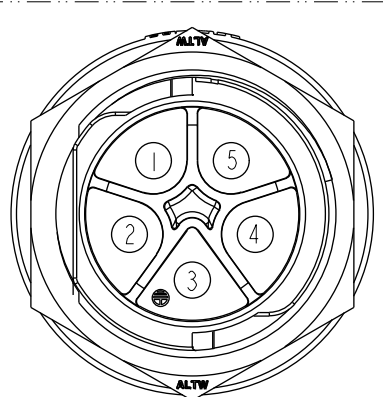
THIS DOCUMENT IS SUBJECT TO CHANGE WITHOUT NOTICE. IT IS CONFIDENTIAL AND A PROPERTY OF AMPHENOL LTW. DISCLOSURE TO THIRD PARTY HAS TO BE AUTHORIZED BY AMPHENOL LTW.

| REV. | ECN NO.         | DATE       | SIGN  | DESCRIPTION            |
|------|-----------------|------------|-------|------------------------|
| A    | Initial Release | 2016/05/18 | Wes   | Change Rev.01 To Rev.A |
| B    | CI90403         | 2019/03/12 | Vicky | Change Note            |

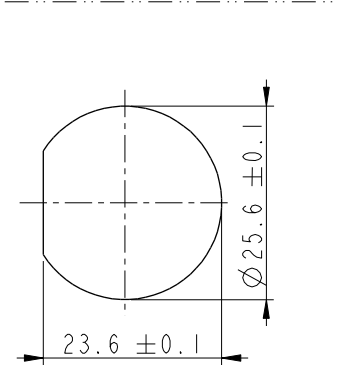


**ALTW**  
**CONFIDENTIAL**  
 2019-03-12  
 R&D DEPT.

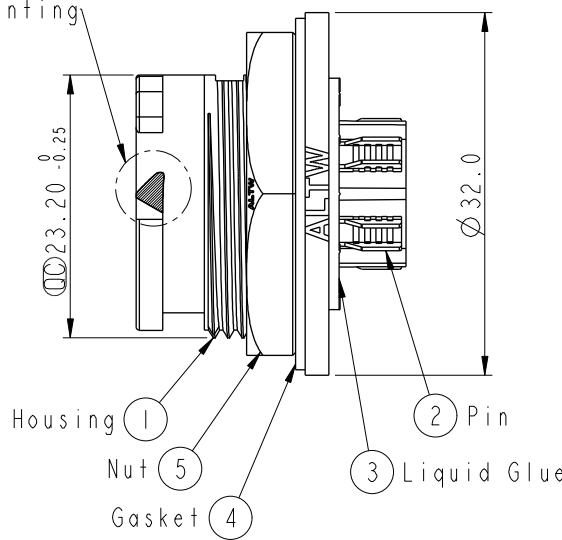
☉ White Printing



Pin Assignments  
Front View



Recommended Panel  
Cut-Out



- Note:**
- \* ☉ Important Dimension To Check.
  - \* Waterproof Rate: IP68, Unmated. In 1 meters water within 24hours.
  - \* Housing: Thermoplastic, Black.
  - \* Pin: Copper Alloy, Gold Plated.
  - \* Nut: Thermoplastic, Black.
  - \* Gasket: Rubber, Gray.
  - \* Use Without Waterproof Cap  
Panel Thickness Max: 3.6mm
  - \* Use With Waterproof Cap  
Panel Thickness Max: 2.6mm
  - \* Gasket and Nut are packed separately in PE bags.

|         |  |  |                |                   |  |                             |                            |                    |
|---------|--|--|----------------|-------------------|--|-----------------------------|----------------------------|--------------------|
| UNIT:mm |  | TITLE<br>X-Lok D Size 20A(For Power)<br>Receptacle Front 5P M Conn M Pin |                |                   | <h1 style="margin: 0;">Amphenol LTW</h1> <p style="margin: 0;">安費諾亮泰企業股份有限公司</p> | ITEM NO<br>DC-05PMMS-QC800P | DRAWN BY<br>Vicky          | DATE<br>2019-03-12 |
|         |  | TOLERANCE<br>.X ±0.25<br>.XX ±0.1<br>.XXX ±0.05<br>ANGLES ±1°            | SCALE<br>3:2   | SIZE<br>A4        |  | SHEET<br>1 OF 1             | DWG NO<br>DC-05PMMS-QC800P | CHECKED BY<br>Rita |
|         |  | REV.<br>B  | WC-REV.<br>A.2 | ☉ Inspection item | CUSTOMER<br>ALTW   | APPROVED BY<br>Max          | DATE<br>2019-03-12         |                    |