

| | | | | |
|------|---------|------|------|-------------|
| REV. | ECN NO. | DATE | SIGN | DESCRIPTION |
| | | | | |

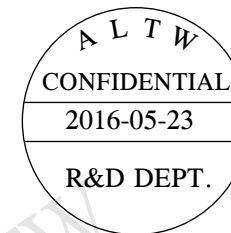
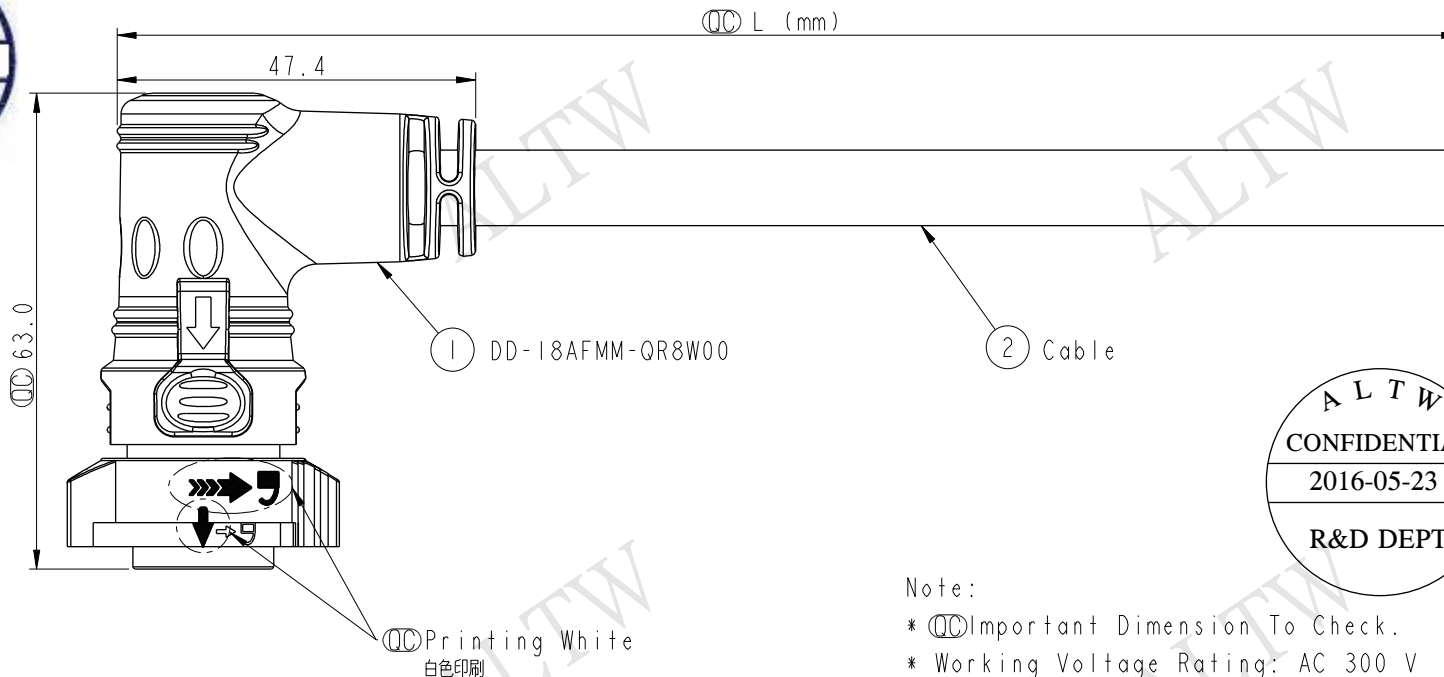


DD-18AFMM-QR8D XX

XX : 01~99Meters
 01 : 01Meter
 02 : 02Meters

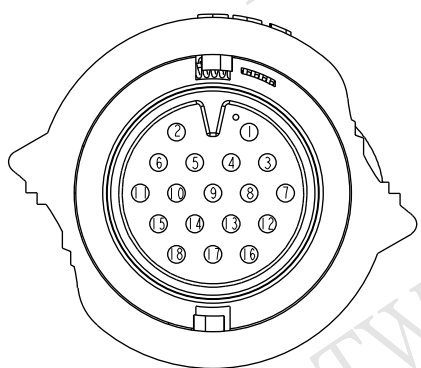
 99 : 99Meters

Cable Length(L):01~99Meters



Note:

- * \varnothing Important Dimension To Check.
- * Working Voltage Rating: AC 300 V
- * Working Current Rating: Max. 05A
- * Flame Class: UL94V-0
- * Waterproof Rate: IP68(Mated)
In 1 meter water within 24 hours.
- * Housing: Nylon+GF, Black
- * Male Pin: Copper Alloy, Gold & Ni Plated
- * Cable: UL21388 20AWG*18C+AL.Mylar,
PVC Jacket UV Resistant, OD=10.0, Black.
- * Cable Length Tolerance: 01M:±40mm
02M~05M:±60mm
06M~10M:±100mm
11M~30M:±200mm
31M~99M:±500mm



Pin Assignments
Front View

| | | | | | |
|---------|------------|---|---------|--------------|-----|
| 9 | Gray | 灰 | 18 | Blue/White | 藍/白 |
| 8 | Purple | 紫 | 17 | Green/White | 綠/白 |
| 7 | Blue | 藍 | 16 | Orange/White | 橙/白 |
| 6 | Green | 綠 | 15 | Red/White | 紅/白 |
| 5 | Yellow | 黃 | 14 | Brown/White | 棕/白 |
| 4 | Orange | 橙 | 13 | Black/White | 黑/白 |
| 3 | Red | 紅 | 12 | Light Green | 淡綠 |
| 2 | Brown | 棕 | 11 | Pink | 粉紅 |
| 1 | Black | 黑 | 10 | White | 白 |
| Conn. | Wire Color | | Conn. | Wire Color | |
| Pin Out | | | Pin Out | | |

| | |
|-----------|------|
| UNIT:mm | |
| TOLERANCE | ±0.5 |

| | | | |
|---|----------------|---------------------------------|--|
| TITLE X-Lok D Size Cable Molding 18Pin F Connector M Pin(05A) | | | |
| SCALE 1:1 | SIZE A4 | SHEET 1 OF 1 | |
| REV. A | WC-REV. A.2 | \varnothing : Inspection item | |

Amphenol LTW
安費諾亮泰企業股份有限公司

| | | |
|----------------------------|--------------------------|--------------------|
| ITEM NO | DRAWN BY Wes Fan | DATE 2016-05-23 |
| DWG NO DD-18AFMM-QR8DXX | CHECKED BY Spring Liu | DATE 2016-05-23 |
| CUSTOMER ALTW | APPROVED BY Kevin Hu | DATE 2016-05-23 |

THIS DOCUMENT IS SUBJECT TO CHANGE WITHOUT NOTICE. IT IS CONFIDENTIAL AND A PROPERTY OF Amphenol LTW. DISCLOSURE TO THIRD PARTY HAS TO BE AUTHORIZED BY Amphenol LTW.