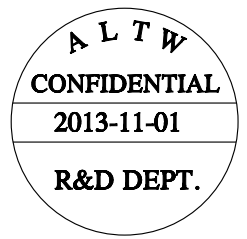
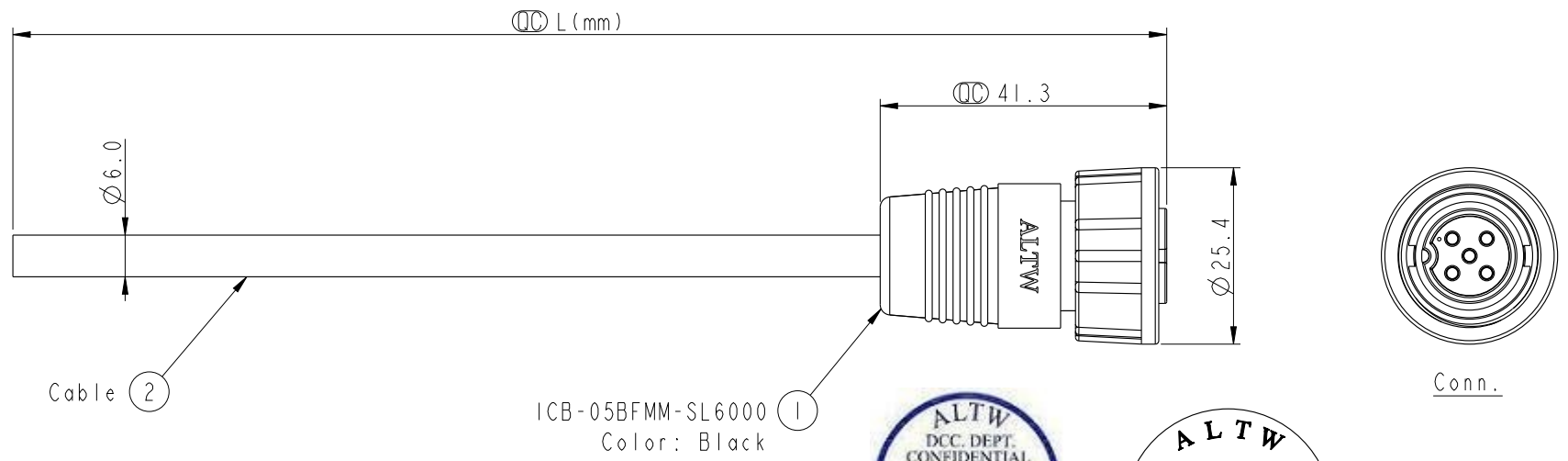


THIS DOCUMENT IS SUBJECT TO CHANGE WITHOUT NOTICE. IT IS CONFIDENTIAL AND A PROPERTY OF Amphenol LTW. DISCLOSURE TO THIRD PARTY HAS TO BE AUTHORIZED BY Amphenol LTW.

REV.	ECN NO.	DATE	SIGN	DESCRIPTION



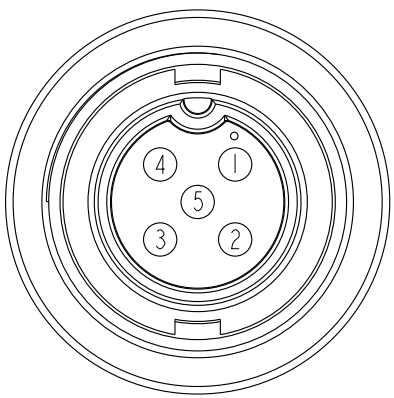
ICB-05BFMM-SL6000  
Color: Black

ICB-05BFMM-SL6AXX

- XX : 01~99Meters
- 01 : 01Meter
- 02 : 02Meters
- 
- 
- 99 : 99Meters

Cable Length(L):01~99Meters

- Note:
- \*  $\varnothing$  Important Dimension To Check.
  - \* Waterproof Rate: IP66
  - \* Housing: Nylon+GF, Black.
  - \* Male Pin: Copper Alloy, Gold Plated.
  - \* Screw Nut: Nylon+GF, Black.
  - \* O-Ring: Silicon, Gray
  - \* Cable: UL2464 20AWG\*5C+D+AI/My  
PVC Jacket UV Resistant, OD=6.0, Black.
  - \* Cable Length Tolerance: 01M:40mm  
02M~05M:±60mm  
06M~10M:±100mm  
11M~30M:±200mm  
31M~99M:±500mm



Pin Assignments  
Front View

5	Green	綠
4	White	白
3	Black	黑
2	Blue	藍
1	Brown	棕
Conn.	Wire Color	
Pin Out		

UNIT:mm		
TOLERANCE	±0.5	

TITLE MIDDLE CNC PIN CABLE SCREW 5P F CONN M PIN			
SCALE 1:1	SIZE A4	SHEET 1 OF 1	
REV. A	WC-REV. A.1	$\varnothing$ : Inspection item	

**Amphenol LTW**  
安費諾亮泰企業股份有限公司

ITEM NO	DRAWN BY Tony_leng	DATE 2013-11-01
DWG NO ICB-05BFMM-SL6AXX	CHECKED BY Ruru	DATE 2013-11-01
CUSTOMER ALTW	APPROVED BY Jerry	DATE 2013-11-01