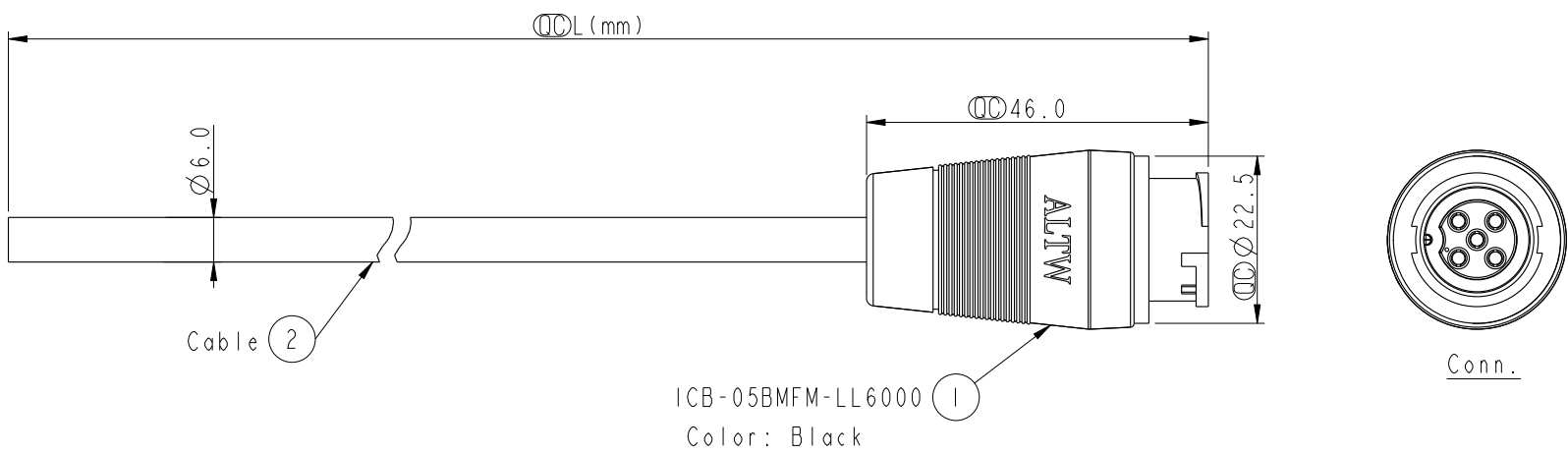
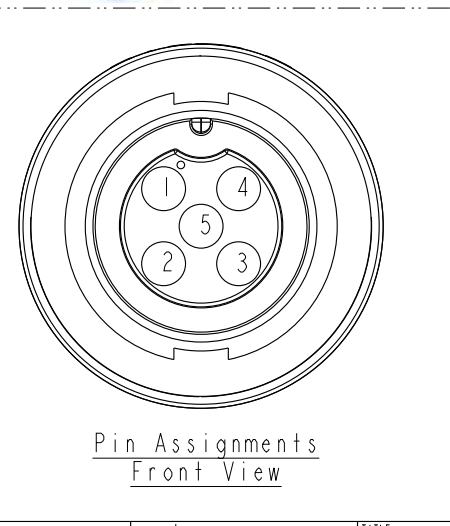
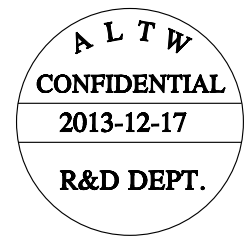


REV.	ECN NO.	DATE	SIGN	DESCRIPTION



ICB-05BMFM-LL6000 (1)  
Color: Black



5	Green	綠
4	White	白
3	Black	黑
2	Blue	藍
1	Brown	棕
Conn.	Wire Color	
Pin Out		

ICB-05BMFM-LL6AXX  
 XX : 01~99Meters  
 01 : 01Meter  
 02 : 02Meters  
 ...  
 99 : 99Meters  
 Cable Length(L): 01~99Meters

- Note:
- \*  $\phi$  Important Dimension To Check.
  - \* Waterproof Rate: IP66
  - \* Housing: Nylon+GF, Black.
  - \* Female Pin: Copper Alloy, Gold Plated.
  - \* Cable: UL2464 20AWG\*5C+D+Al/My  
PVC Jacket UV Resistant, OD=6.0, Black.
  - \* Cable Length Tolerance:
    - 01M: 40mm
    - 02M~05M:  $\pm 60$ mm
    - 06M~10M:  $\pm 100$ mm
    - 11M~30M:  $\pm 200$ mm
    - 31M~99M:  $\pm 500$ mm

UNIT:mm   
 TOLERANCE  $\pm 0.5$

TITLE MIDDLE CNC PIN CABLE LOCK 5P M CONN F PIN			
SCALE 1:1	SIZE A4	SHEET 1 OF 1	
REV. A	WC-REV. A.1	$\phi$ : Inspection item	

**Amphenol LTW**  
 安費諾亮泰企業股份有限公司

ITEM NO	DRAWN BY peter_wang	DATE 2013-12-17
DWG NO ICB-05BMFM-LL6AXX	CHECKED BY Rensong	DATE 2013-12-17
CUSTOMER ALTW	APPROVED BY Victor	DATE 2013-12-17

THIS DOCUMENT IS SUBJECT TO CHANGE WITHOUT NOTICE. IT IS CONFIDENTIAL AND A PROPERTY OF AMPHENOL LTW. DISCLOSURE TO THIRD PARTY HAS TO BE AUTHORIZED BY AMPHENOL LTW.