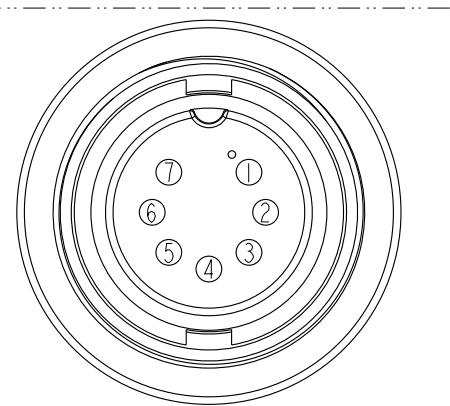
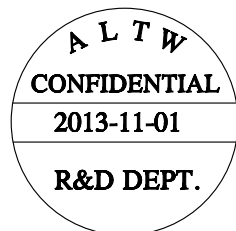
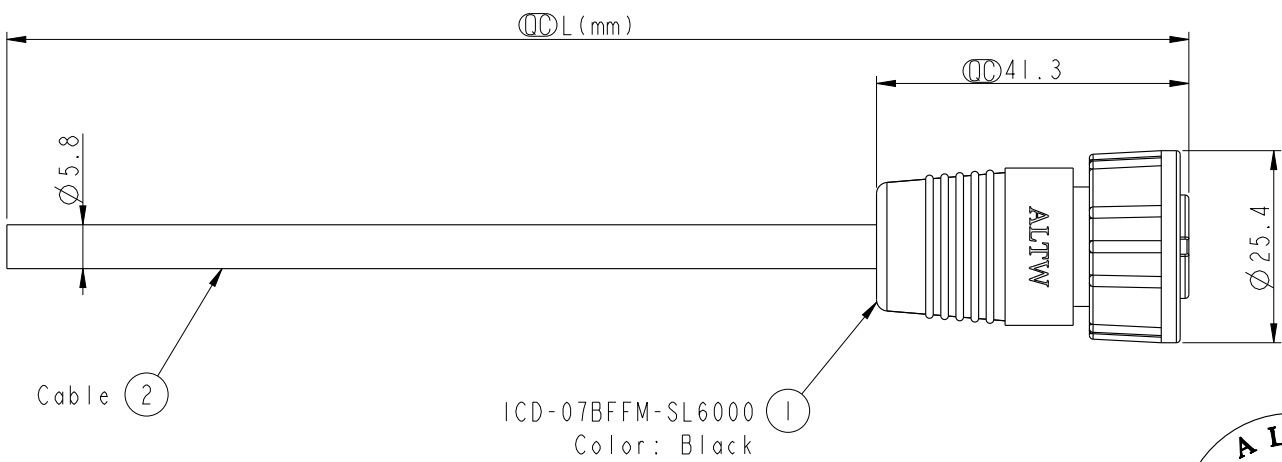


REV.	ECN NO.	DATE	SIGN	DESCRIPTION



Pin Assignments  
Front View

7	White	白
6	Green	綠
5	Brown	棕
4	Red	紅
3	Yellow	黃
2	Orange	橙
1	Blue	藍
Conn.	Wire Color	Pin Out

ICD-07BFFM-SL6000  
Color: Black

ICD-07BFFM-SL6AXX

- XX : 01~99Meters
- 01 : 01Meter
- 02 : 02Meters
- :
- :
- 99 : 99Meters

Cable Length(L): 01~99Meters

- Note:
- \*  $\varnothing$  Important Dimension To Check.
  - \* Waterproof Rate: IP66
  - \* Housing: Nylon+GF, Black.
  - \* Female Pin: Copper Alloy, Gold Plated.
  - \* Screw Nut: Nylon+GF, Black.
  - \* O-Ring: Silicon, Gray
  - \* Cable: UL2464 24AWG\*7C+Drain+Al/My PVC Jacket UV Resistant, OD=5.8, Black.
  - \* Cable Length Tolerance:
    - 01M~40M: ±60mm
    - 02M~05M: ±60mm
    - 06M~10M: ±100mm
    - 11M~30M: ±200mm
    - 31M~99M: ±500mm

UNIT:mm	
TOLERANCE	±0.5

TITLE MIDDLE CNC PIN CABLE SCREW 7P F CONN F PIN			
SCALE 1:1	SIZE A4	SHEET 1 OF 1	
REV. A	WC-REV. A.2	$\varnothing$ : Inspection item	

**Amphenol LTW**  
安費諾亮泰企業股份有限公司

ITEM NO	DRAWN BY Tony_leng	DATE 2013-11-01
DWG NO ICD-07BFFM-SL6AXX	CHECKED BY Ruru	DATE 2013-11-01
CUSTOMER ALTW	APPROVED BY Jerry	DATE 2013-11-01

THIS DOCUMENT IS SUBJECT TO CHANGE WITHOUT NOTICE. IT IS CONFIDENTIAL AND A PROPERTY OF Amphenol LTW. DISCLOSURE TO THIRD PARTY HAS TO BE AUTHORIZED BY Amphenol LTW.