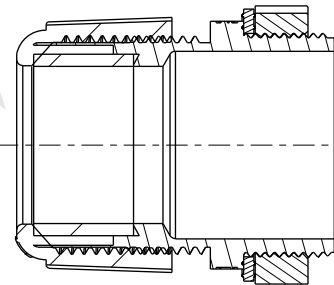
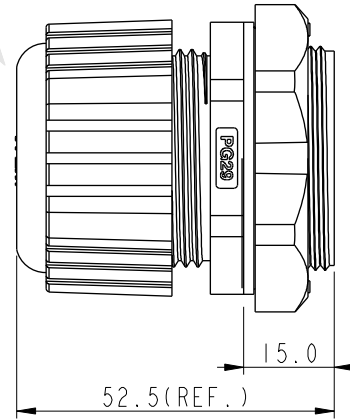
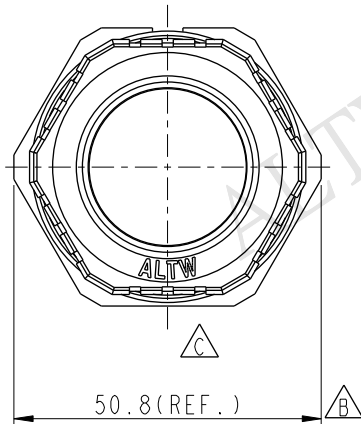
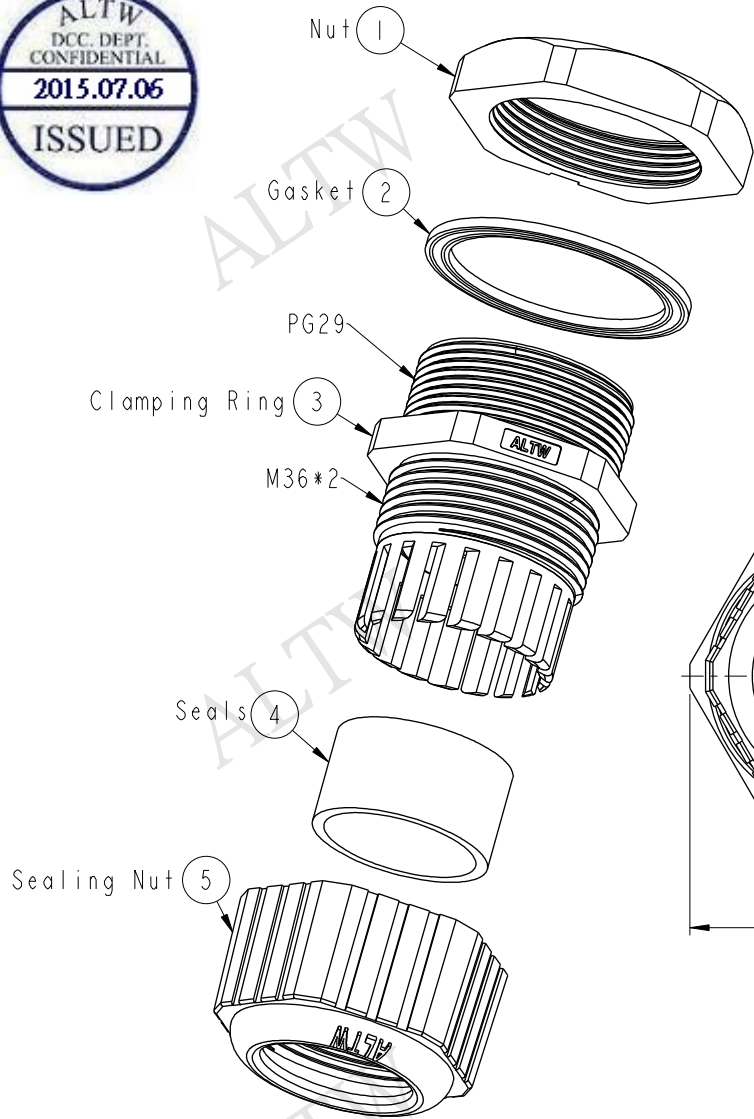
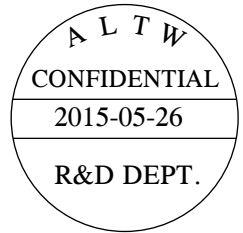
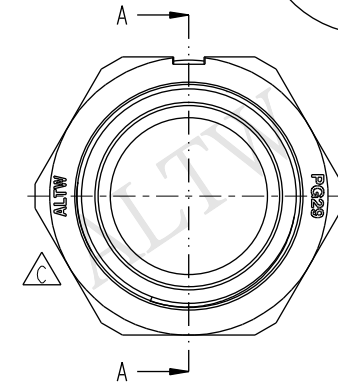
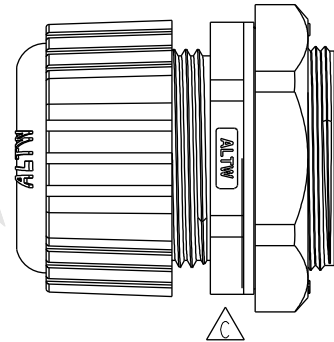




REV.	ECN NO.	DATE	SIGN	DESCRIPTION
B	LEN1370118	2013/07/04	Sam	Change Dimension
C	LEN1560407	2015/05/26	Ruru	Change Logo

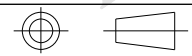


Section A-A



- Note:
- * Waterproof Rate: IP68
 - * Screw Nut: Nylon, Gray
 - * Clamp Ring: Nylon, Gray
 - * Sealing Nut: Nylon, Gray
 - * Gasket: EPDM, Black
 - * Seals: EPDM, Black
 - * Cable Range: $\varnothing 18 \sim \varnothing 25\text{mm}$
 - * For Panel Thickness: 6.0mm max
 - * Spanner Size:
 - Body: 41.0mm
 - Sealing Nut: 42.2mm
 - Screw Nut: 46.0mm

UNIT: mm



TITLE Cable Gland Assembly (PG29)			
SCALE 4:5	SIZE A4	SHEET 1 OF 1	
REV. C	WC-REV. A.1	QC: Inspection item	

Amphenol LTW
安費諾亮泰企業股份有限公司

ITEM NO CSG-29G004	DRAWN BY Ruru	DATE 2015-05-26
DWG NO CSG-29G004	CHECKED BY Rita	DATE 2015-05-26
CUSTOMER ALTW	APPROVED BY Lion	DATE 2015-05-26

THIS DOCUMENT IS SUBJECT TO CHANGE WITHOUT NOTICE. IT IS CONFIDENTIAL AND A PROPERTY OF Amphenol LTW. DISCLOSURE TO THIRD PARTY HAS TO BE AUTHORIZED BY Amphenol LTW.