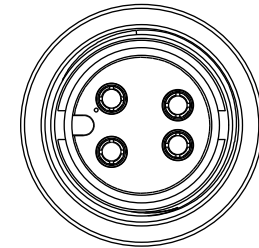
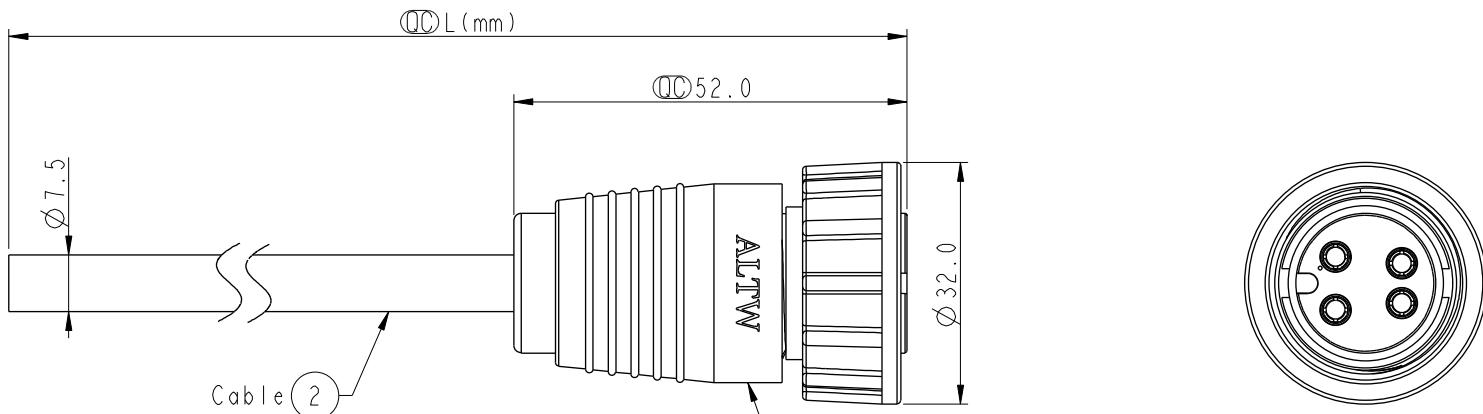


THIS DOCUMENT IS SUBJECT TO CHANGE WITHOUT NOTICE. IT IS CONFIDENTIAL AND A PROPERTY OF Amphenol LTW. DISCLOSURE TO THIRD PARTY HAS TO BE AUTHORIZED BY Amphenol LTW.

REV.	ECN NO.	DATE	SIGN	DESCRIPTION



Conn.

1 IDC-04BFFM-SL6000
Color: Black

ALTW
CONFIDENTIAL
2014-01-13
R&D DEPT.

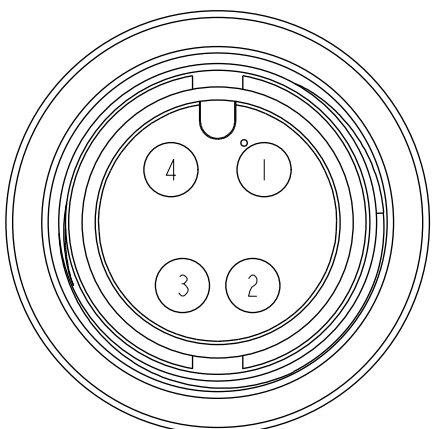
ALTW
DCC. DEPT.
CONFIDENTIAL
2014.01.15
ISSUED

IDC-04BFFM-SL6AXX

- XX :01~99Meters
- 01 :01Meter
- 02 :02Meters
- ...
- 99 :99Meters

Cable Length(L):01~99Meters

- Note:
- * \varnothing Important Dimension To Check.
 - * Waterproof Rate: IP66
 - * Housing: Nylon+GF, Black.
 - * Female Pin: Copper Alloy, Gold Plated.
 - * Screw Nut: Nylon+GF, Black.
 - * O-Ring: Silicone, Gray.
 - * Cable: UL2464 16AWG*4C+AL/My, PVC Jacket, UV Resistant, OD=7.5mm, Black.
 - * Cable Length Tolerance: 01M:±40mm
02M~05M:±60mm
06M~10M:±100mm
11M~30M:±200mm
31M~99M:±500mm



Pin Assignments
Front View

4	Orange	橘
3	Red	紅
2	Brown	棕
1	Black	黑
Conn.	Wire Color	
	Pin Out	

UNIT:mm	
TOLERANCE	±0.5 mm

TITLE Large CNC Pin Cable Screw 4Pin F Conn F Pin			
SCALE 1:1	SIZE A4	SHEET 1 OF 1	
REV. A	WC-REV. A.1	QC: Inspection item	

Amphenol LTW
安費諾亮泰企業股份有限公司

ITEM NO	DRAWN BY Vicky	DATE 2014-01-13
DWG NO IDC-04BFFM-SL6AXX	CHECKED BY Ruru	DATE 2014-01-13
CUSTOMER ALTW	APPROVED BY Victor	DATE 2014-01-13