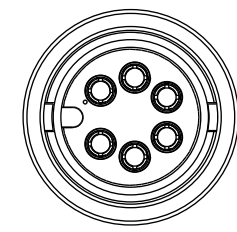
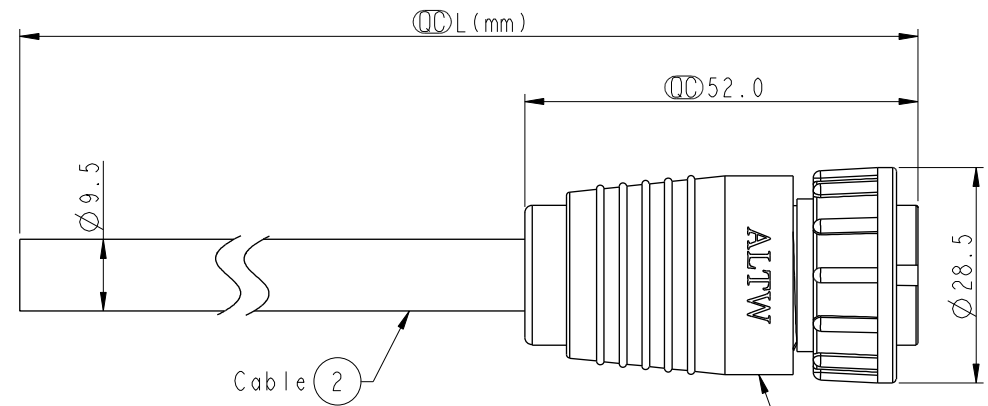


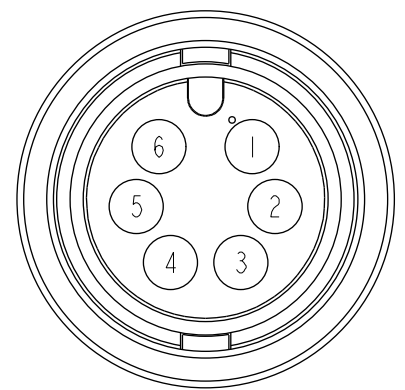
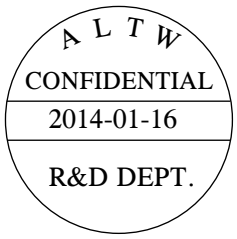
THIS DOCUMENT IS SUBJECT TO CHANGE WITHOUT NOTICE. IT IS CONFIDENTIAL AND A PROPERTY OF Amphenol LTW. DISCLOSURE TO THIRD PARTY HAS TO BE AUTHORIZED BY Amphenol LTW.

REV.	ECN NO.	DATE	SIGN	DESCRIPTION



Conn.

① IDC-06BFFM-LL6000  
Color: Black



Pin Assignments  
Front View

6	Gray	灰
5	Yellow	黃
4	Green	綠
3	White	白
2	Blue	藍
1	Brown	棕
Conn.	Wire Color	

Pin Out

IDC-06BFFM-LL6AXX

- XX :01~99Meters
- 01 :01Meter
- 02 :02Meters
- ...
- 99 :99Meters

Cable Length(L):01~99Meters

Note:

- \*  $\varnothing$  Important Dimension To Check.
- \* Waterproof Rate: IP66
- \* Housing: Nylon+GF, Black.
- \* Female Pin: Copper Alloy, Gold Plated.
- \* Lock Nut: Nylon+GF, Black.
- \* O-Ring: Silicone, Gray.
- \* Cable: UL2464 16AWG\*6C+F+D+AL/My, PVC Jacket, UV Resistant, OD=9.5mm, Black.
- \* Cable Length Tolerance:
  - 01M:±40mm
  - 02M~05M:±60mm
  - 06M~10M:±100mm
  - 11M~30M:±200mm
  - 31M~99M:±500mm

UNIT:mm	
TOLERANCE	±0.5 mm

TITLE Large CNC Pin Cable Lock 6Pin F Conn F Pin			
SCALE 1:1	SIZE A4	SHEET 1 OF 1	
REV. A	WC-REV. A.1	$\varnothing$ : Inspection item	

**Amphenol LTW**  
安費諾亮泰企業股份有限公司

ITEM NO	DRAWN BY Vicky	DATE 2014-01-16
DWG NO IDC-06BFFM-LL6AXX	CHECKED BY Ruru	DATE 2014-01-16
CUSTOMER ALTW	APPROVED BY Victor	DATE 2014-01-16