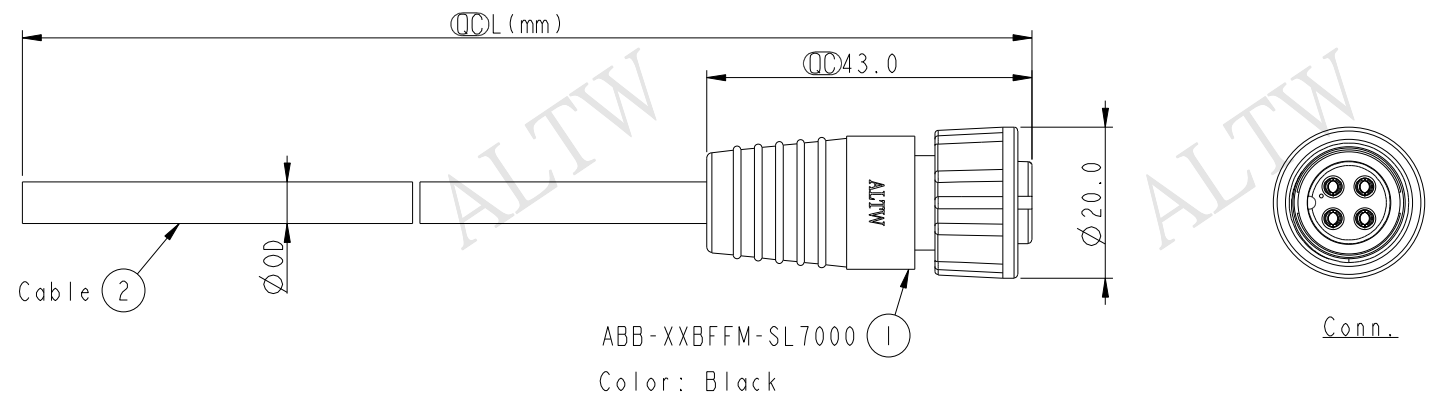
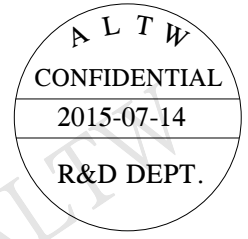


THIS DOCUMENT IS SUBJECT TO CHANGE WITHOUT NOTICE. IT IS CONFIDENTIAL AND A PROPERTY OF Amphenol LTW. DISCLOSURE TO THIRD PARTY HAS TO BE AUTHORIZED BY Amphenol LTW.

| | | | | | | | |
|------|---------|------|------|-------------|---|---|---|
| 1 | 2 | 3 | 4 | 5 | 6 | 7 | 8 |
| REV. | ECN NO. | DATE | SIGN | DESCRIPTION | | | |



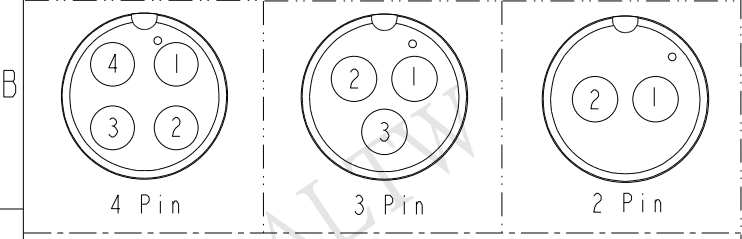
| | | | | |
|----------|--------------|----------|-----|-------------------|
| 4P | PVC | 5.5 | 20 | ABB-04BFFM-SL7AXX |
| 3P | | 5.0 | | ABB-03BFFM-SL7AXX |
| 2P | | 5.8 | | ABB-02BFFM-SL7AXX |
| Contacts | Cable Jacket | Cable OD | AWG | Item No. |



| | | |
|------------|------------|------------|
| 4 White 白 | 3 Yellow 黃 | 2 Red 紅 |
| 3 Black 黑 | 2 White 白 | 1 Green 綠 |
| 2 Blue 藍 | 1 Black 黑 | |
| 1 Brown 棕 | | |
| Pin # Wire | Pin # Wire | Pin # Wire |
| | Pin Out | |

ABB-XXBFFM-SL7AXX
 02: 2Pin
 04: 4Pin
 XX : 01~99Meters
 01 : 01Meter
 02 : 02Meters
 99 : 99Meters
 Cable Length(L): 01~99Meters

- Note:
- * \varnothing Important Dimension To Check.
 - * Waterproof Rate: IP67
 - * Housing: Nylon+GF, Black.
 - * Female Pin: Copper Alloy, Gold Plated.
 - * Cable: UL2464 20AWG+D+AL/My
 - * PVC Jacket UV Resistant, Black.
 - * Cable Length Tolerance: 01M: 40mm
 02M~05M: ±60mm
 06M~10M: ±100mm
 11M~30M: ±200mm
 31M~99M: ±500mm



Pin Assignments Front View

| | | | | | | | | | |
|------------------------------|--|---|----------------|--|---------------------------------|--------------------|-----------------------------|-----------------------|--------------------|
| UNIT:mm TOLERANCE ±0.5 | | TITLE STANDARD CABLE SCREW F CONN F PIN | | <h1>Amphenol LTW</h1> 安費諾亮泰企業股份有限公司 | ITEM NO | DRAWN BY Jinhai | DATE 2015-07-14 | | |
| | | SCALE 1:1 | SIZE A4 | | SHEET 1 | OF 1 | DWG NO ABB-XXBFFM-SL7AXX | CHECKED BY Rensong | DATE 2015-07-14 |
| | | REV. A | WC-REV. A.2 | | \varnothing : Inspection item | | CUSTOMER ALTW | APPROVED BY Jerry | DATE 2015-07-14 |