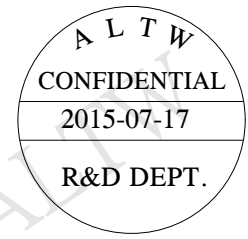
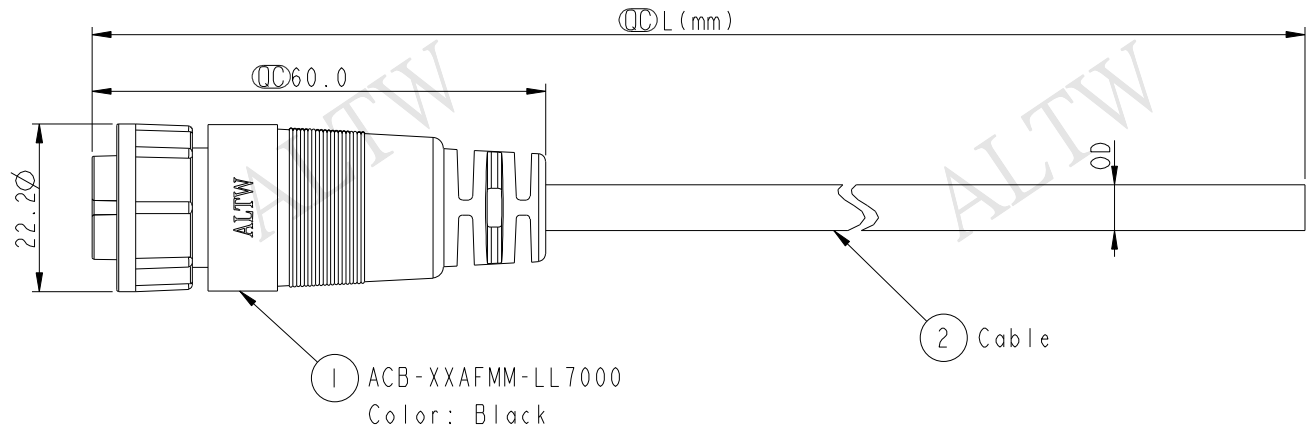
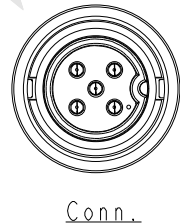


REV.	ECN NO.	DATE	SIGN	DESCRIPTION

THIS DOCUMENT IS SUBJECT TO CHANGE WITHOUT NOTICE. IT IS CONFIDENTIAL AND A PROPERTY OF Amphenol LTW. DISCLOSURE TO THIRD PARTY HAS TO BE AUTHORIZED BY Amphenol LTW.



5	Green 綠	4	White 白
4	White 白	3	Black 黑
3	Black 黑	2	Blue 藍
2	Blue 藍	1	Brown 棕
1	Brown 棕		
Pin #	Wire	Pin #	Wire

Pin Out

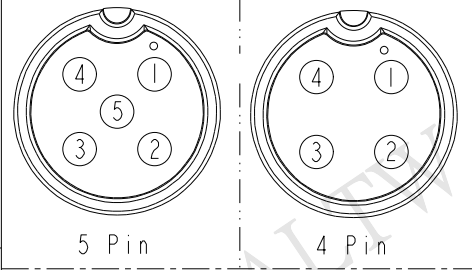
ACB-XXAFMM-LL7AXX

04: 4Pin
:
05: 5Pin

XX : 01~99Meters
01 : 01Meter
02 : 02Meters
:
99 : 99Meters

Cable Length(L): 01~99Meters

- Note:
- * \varnothing Important Dimension To Check.
 - * Waterproof Rate: IP67
 - * Housing: Nylon+GF, Black.
 - * Male Pin: Copper Alloy, Tin Plated.
 - * Lock Nut: Nylon+GF, Black.
 - * Cable: UL2464 20AWG+D+Al/My PVC Jacket UV Resistant, Black.
 - * Cable Length Tolerance: 01M: 40mm
02M~05M: ±60mm
06M~10M: ±100mm
11M~30M: ±200mm
31M~99M: ±500mm



5P	PVC	6.0	20	ACB-05AFMM-LL7AXX
4P		5.5		ACB-04AFMM-LL7AXX
Contacts	Cable Jacket	Cable OD	AWG	Item No.

Pin Assignments Front View

UNIT:mm

TOLERANCE ±0.5

TITLE MIDDLE CABLE LOCK F CONN M PIN

SCALE 1:1 SIZE A4 SHEET 1 OF 1

REV. A WC-REV. A.1 \varnothing : Inspection item

Amphenol LTW
安費諾亮泰企業股份有限公司

ITEM NO	DRAWN BY Jinhai	DATE 2015-07-17
DWG NO ACB-XXAFMM-LL7AXX	CHECKED BY Rensong	DATE 2015-07-17
CUSTOMER ALTW	APPROVED BY Jerry	DATE 2015-07-17