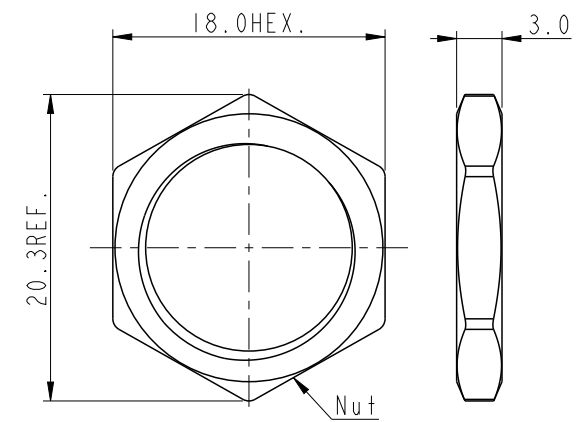
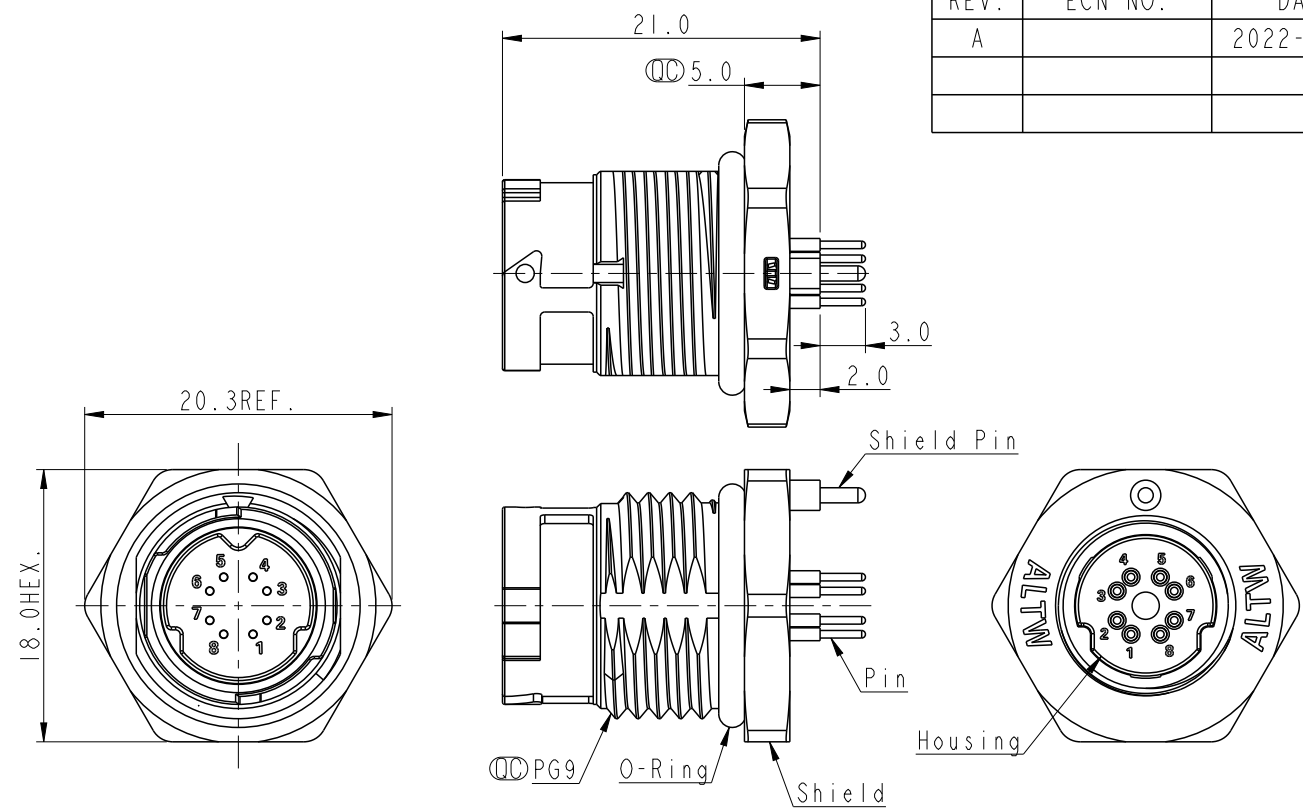


THIS DOCUMENT IS SUBJECT TO CHANGE WITHOUT NOTICE. IT IS CONFIDENTIAL AND A PROPERTY OF AMPHENOL LTW. DISCLOSURE TO THIRD PARTY HAS TO BE AUTHORIZED BY AMPHENOL LTW.

REV.	ECN NO.	DATE	SIGN	DESCRIPTION
A		2022-02-23	Sam Ho	Rev.01 to A, Initial Released

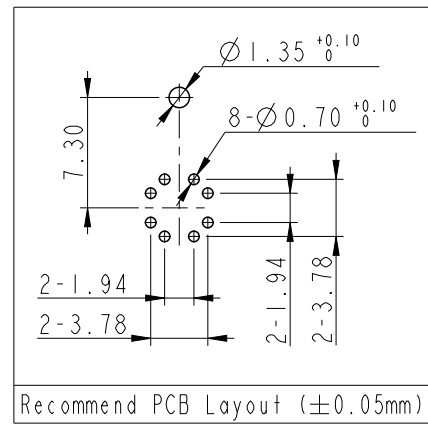
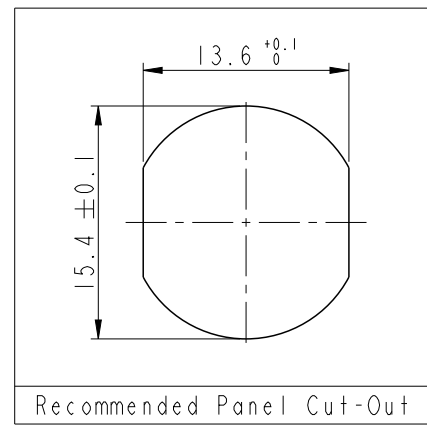


Note:

- \* RoHS Compliant
- \*  $\varnothing$  Important dimension
- \* Waterproof rate: IPX8, unmated 1m/24h
- \* Housing: Thermoplastic, Black
- \* Pin: Copper Alloy, Gold plated
- \* Shield Pin: Copper Alloy, Gold plated
- \* Shield: Metal
- \* Nut: Metal
- \* O-Ring: Rubber, Black
- \* For panel thickness max: 4.5mm
- \* Recommend PCB thickness max: 2.0mm
- \* Nut is packed separately in pe bag

ASY-AXXPMPM-QC8002

XX: No. Of Pin



UNIT: mm TOLERANCE $\pm 0.50\text{mm}$	TITLE XLOK, A SHLD-0.5A, A08P, FRONT FASTENED			<b>Amphenol LTW</b> 安費諾亮泰企業股份有限公司		ITEM NO	DRAWN BY Sam Ho	DATE 2022-02-18
	SCALE 2:1	SIZE A4	SHEET 1 OF 1			DWG NO ASY-AXXPMPM-QC8002	CHECKED BY Fred Lee	DATE 2022-02-18
	REV. A	WC-REV.	$\varnothing$ : Inspection item	CUSTOMER ALTW	APPROVED BY Fred Lee	DATE 2022-02-18		