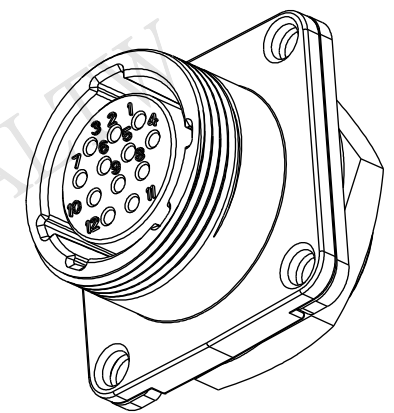
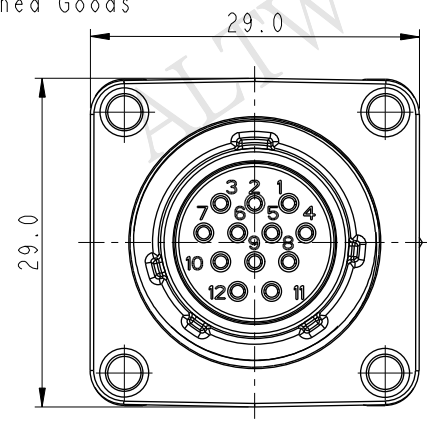
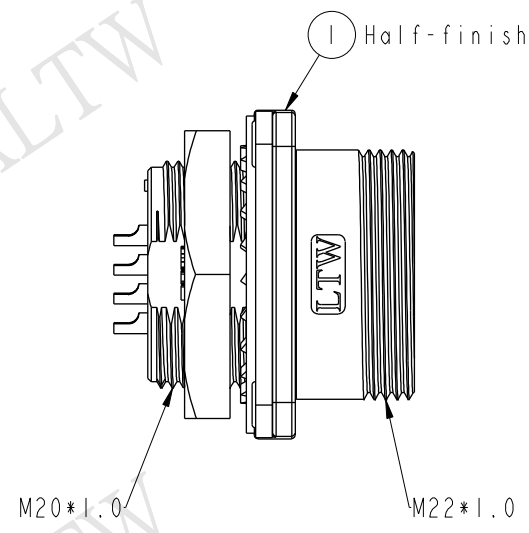
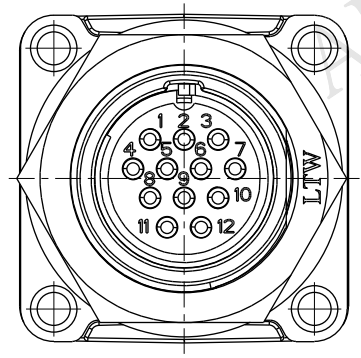
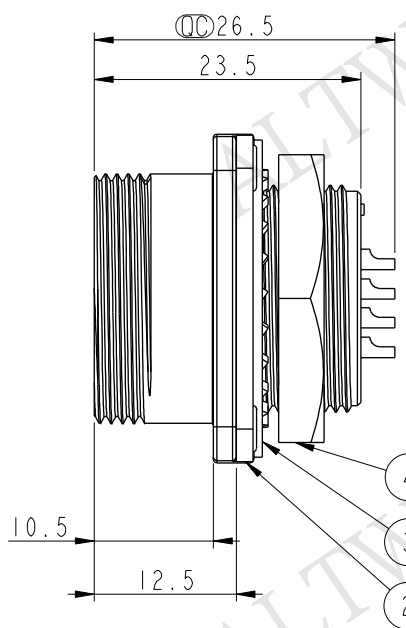


THIS DOCUMENT IS SUBJECT TO CHANGE WITHOUT NOTICE. IT IS CONFIDENTIAL AND A PROPERTY OF Amphenol LTW. DISCLOSURE TO THIRD PARTY HAS TO BE AUTHORIZED BY Amphenol LTW.

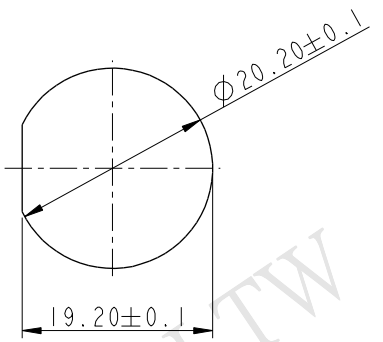
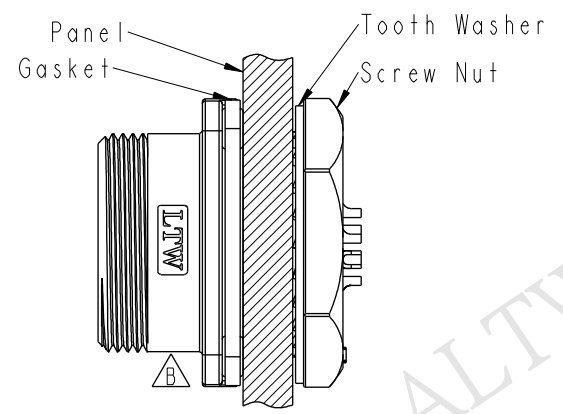
REV.	ECN NO.	DATE	SIGN	DESCRIPTION
A	Initial Release	2012/10/22	Ruru	HD20-12RMFS-SS8001 To HD20-12PMFS-SN8001
B	LEN14A0105	2014/09/15	Feng_Li	Change Logo Direction
C	LE31650219	2016/05/03	Vicky	Update Note

**ALTW**  
**CONFIDENTIAL**  
 2016-05-03  
**R&D DEPT.**



**ALTW**  
**DCC DEPT.**  
**CONFIDENTIAL**  
 2016.05.13  
**ISSUED**

Assembly Instruction



Recommend Panel Cut-Out

- △ Note:
- \* ⌀ Important Dimension.
  - \* Waterproof Rate: IP68.  
IP68: 1M depth of water in 24 Hrs.  
(防水等級: IP68)  
IP68: 水深一米測試24小時
  - \* Shell: Zinc Alloy, Electrodeposition Coating, Black.
  - \* Insulation: Nylon, Black.
  - \* Female Pin: Copper Alloy, Gold Plated.
  - \* Gasket: Silicone, Gray.
  - \* Recommended Panel Thickness 5.0mm(Max).

UNIT: mm		
TOLERANCE	.X ±0.25	
.XX ±0.1		
.XXX ±0.05		
ANGLES	±1°	

TITLE PANEL NUT 12PIN M CONN F PIN			
SCALE 3:2	SIZE A4	SHEET 1 OF 1	
REV. C	WC-REV. A.3	⌀: Inspection item	

**Amphenol LTW**  
**安費諾亮泰企業股份有限公司**

ITEM NO. HD20-12PMFS-SN8001	DRAWN BY Vicky	DATE 2016-05-03
DWG NO. HD20-12PMFS-SN8001	CHECKED BY Rita	DATE 2016-05-03
CUSTOMER ALTW	APPROVED BY Lisa	DATE 2016-05-03