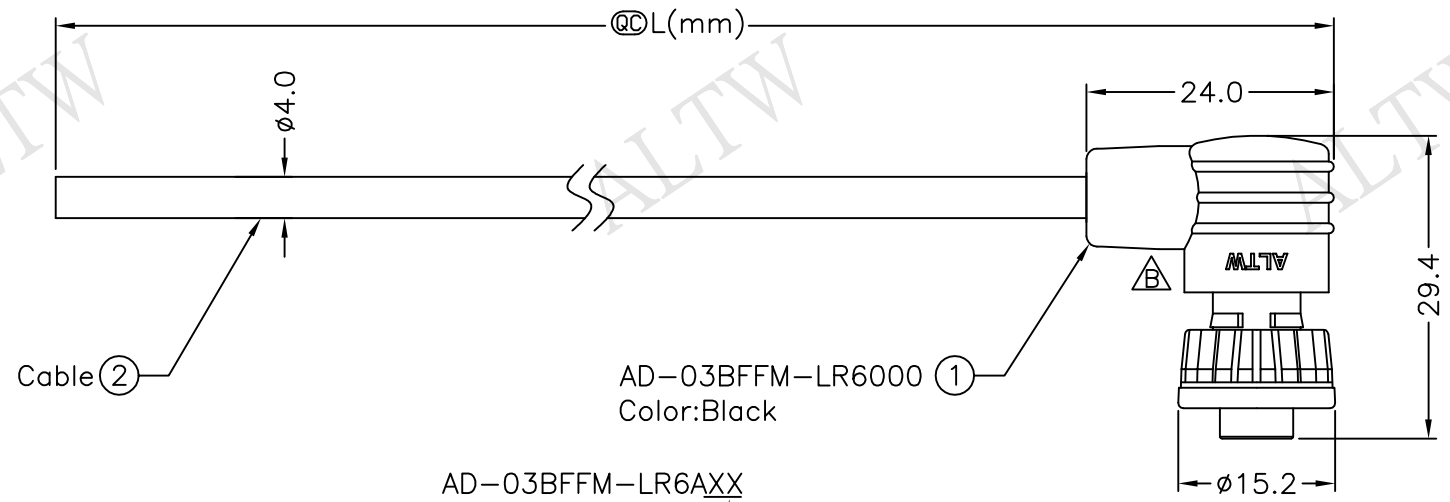
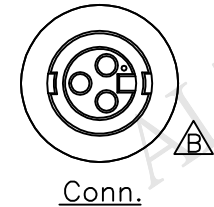


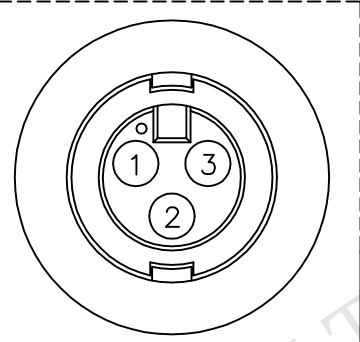
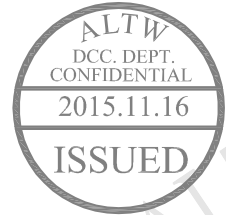
REV. B	ECN NO. LEN15B0134~137	DATE 2015/11/05	SIGN Vicky	DESCRIPTION Update Logo, View & Note
--------	------------------------	-----------------	------------	--------------------------------------



AD-03BFFM-LR6AXX
 XX:01~99Meter
 01:01Meter
 02:02Meters
 ...
 99:99Meters
 Cable Length(L):01~99Meters



- Note:
- * @Q Important Dimension To Check.
 - * Waterproof Rate: IP66
 - * Housing: Nylon+GF, Black
 - * Female Pin: Copper Alloy, Gold Plated
 - * Cable: UL2464 26AWG*3C+Drain+Al/My, Black, PVC Jacket, UV Resistant, OD=4.0mm
 - * Cable Length Tolerance: 01M:±40mm
 02M~05M:±60mm
 06M~10M:±100mm
 11M~30M:±200mm
 31M~99M:±500mm



Pin Assignments
Front View

Yellow	黃	3
White	白	2
Black	黑	1
Wire Color		Conn.
Pin Out		

UNIT:mm	TITLE Mini Cable Lock 3Pin F Conn F Pin		Amphenol LTW 安費諾亮泰企業股份有限公司	ITEM NO	DRAWN BY Vicky	DATE 2015/11/05
TOLERANCE ±0.5 mm	SCALE Free	SHEET 1 OF 1		DWG NO AD-03BFFM-LR6AXX	CHECKED BY Rita	DATE 2015/11/05
REV. B	SIZE A4	@Q :Inspection Item	CUSTOMER ALTW	APPROVED BY Lisa	DATE 2015/11/05	8 FMW0702-01-01A2

THIS DOCUMENT IS SUBJECT TO CHANGE WITHOUT NOTICE. IT IS CONFIDENTIAL AND A PROPERTY OF Amphenol LTW. DISCLOSURE TO THIRD PARTY HAS TO BE AUTHORIZED BY Amphenol LTW.