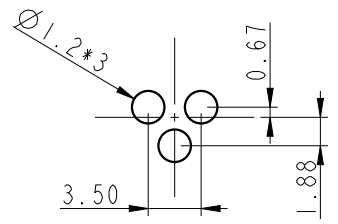
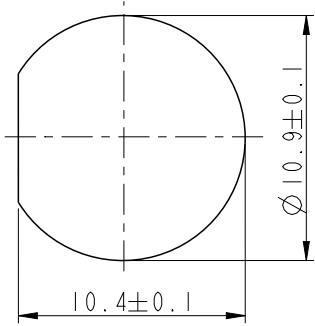


THIS DOCUMENT IS SUBJECT TO CHANGE WITHOUT NOTICE. IT IS CONFIDENTIAL AND A PROPERTY OF AMPHENOL LTW. DISCLOSURE TO THIRD PARTY HAS TO BE AUTHORIZED BY AMPHENOL LTW.

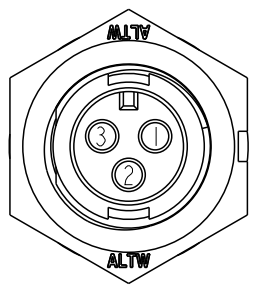
REV.	ECN NO.	DATE	SIGN	DESCRIPTION
D	LEN1640065	2016/03/30	Vicky	Update Logo
E	C190268	2019/02/18	Ruru	Modify Note
F	C191075	2019/07/01	Eagle	\triangle F x1



PCB Layout

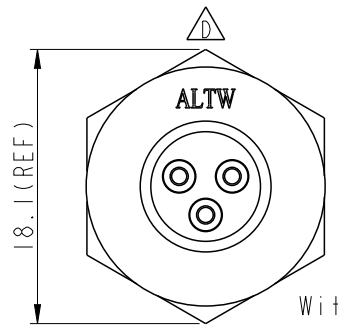


Recommended Panel Cut-Out

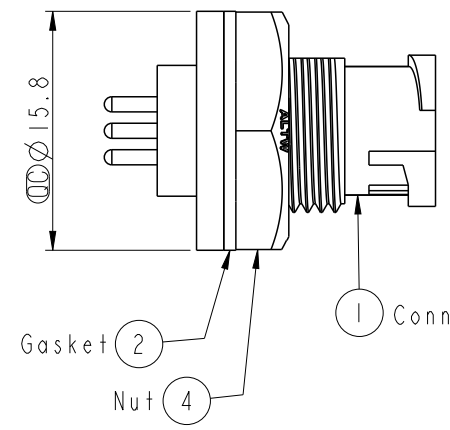
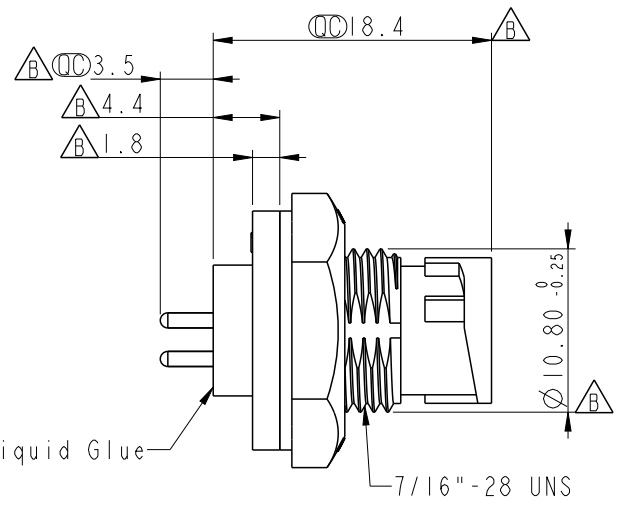
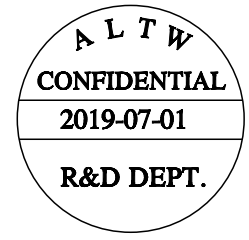


Pin Assignments Front View

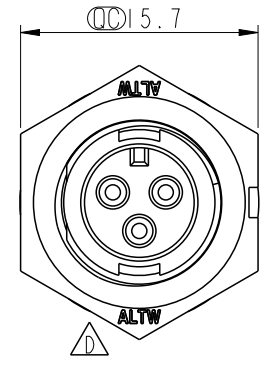
\triangle B



With Liquid Glue



Gasket ②
Nut ④
① Connector



- Note: \triangle E
- * \textcircled{C} Important Dimension
 - * Waterproof Rate: IP67, Unmated
 - * Housing: Thermoplastic, Black
 - * Pin: Copper Alloy, Gold Plated
 - * Nut: Thermoplastic, Black
 - \triangle E * Gasket: Rubber, Gray
 - \triangle C * Use with waterproof cap or dust cap
Panel thickness max: 2.5mm
 - \triangle C * Use without waterproof cap or dust cap
Panel thickness max: 3.5mm
 - * Gasket and Nut are packed separately in PE bags.

UNIT:mm	
TOLERANCE	
.X	±0.25
.XX	±0.1
.XXX	±0.05
ANGLES	±1°

TITLE Mini Panel Lock 3Pin M Conn. M Pin			
SCALE 2:1	SIZE A4	SHEET 1 OF 1	
REV. F	WC-REV. A.2	\textcircled{C} : Inspection item	

Amphenol LTW
安費諾亮泰企業股份有限公司

ITEM NO AD-03PMMP-LC7001	DRAWN BY Eagle	DATE 2019-07-01
DWG NO AD-03PMMP-LC7001	CHECKED BY Brady	DATE 2019-07-01
CUSTOMER ALTW	APPROVED BY Neo	DATE 2019-07-01