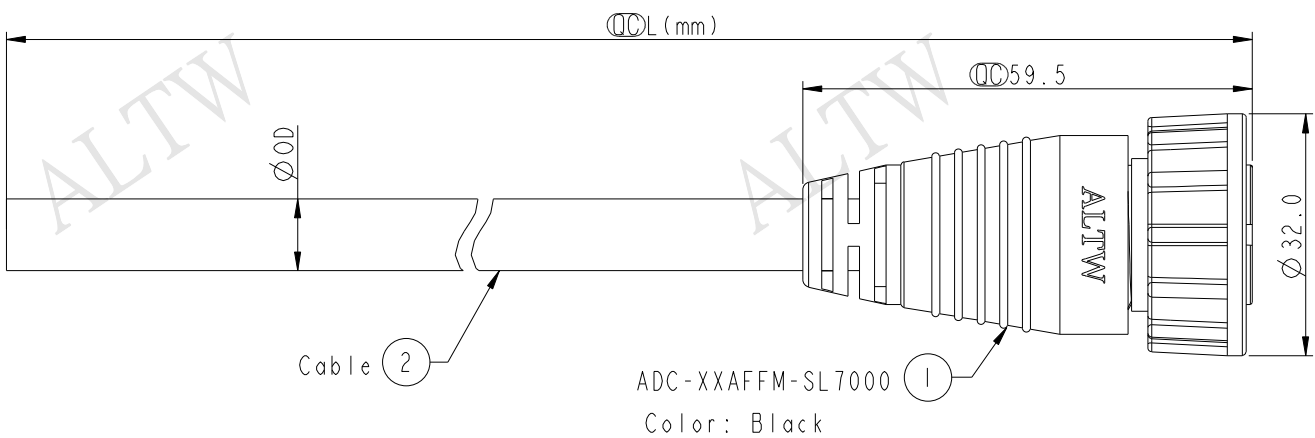


THIS DOCUMENT IS SUBJECT TO CHANGE WITHOUT NOTICE. IT IS CONFIDENTIAL AND A PROPERTY OF Amphenol LTW. DISCLOSURE TO THIRD PARTY HAS TO BE AUTHORIZED BY Amphenol LTW.

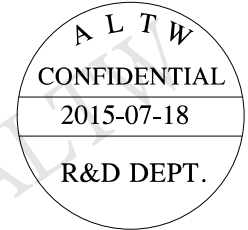
| | | | | | | | |
|------|---------|------|------|-------------|---|---|---|
| 1 | 2 | 3 | 4 | 5 | 6 | 7 | 8 |
| REV. | ECN NO. | DATE | SIGN | DESCRIPTION | | | |



ADC-XXAFFM-SL7AXX
 02: 2Pin
 :
 :
 07: 7Pin

XX : 01~99Meters
 01 : 01Meter
 02 : 02Meters
 :
 :
 99 : 99Meters

Cable Length(L): 01~99Meters



Note:
 * \varnothing Important Dimension To Check.
 * Waterproof Rate: IP67
 * Housing: Nylon+GF, Black.
 * Female Pin: Copper Alloy, Gold Plated.
 * Cable: UL2464 16AWG+D+AL/My
 PVC Jacket UV Resistant, Black.
 * Cable Length Tolerance: 01M: 40mm
 02M~05M: ± 60 mm
 06M~10M: ± 100 mm
 11M~30M: ± 200 mm
 31M~99M: ± 500 mm

| | | | | |
|----------|--------------|----------|-----|-------------------|
| 7P | PVC | 9.5 | 16 | ADC-07AFFM-SL7AXX |
| 6P | | 9.5 | | ADC-06AFFM-SL7AXX |
| 5P | | 7.8 | | ADC-05AFFM-SL7AXX |
| 4P | | 7.5 | | ADC-04AFFM-SL7AXX |
| 3P | | 7.5 | | ADC-03AFFM-SL7AXX |
| 2P | | 5.8 | | ADC-02AFFM-SL7AXX |
| Contacts | Cable Jacket | Cable OD | AWG | Item No. |

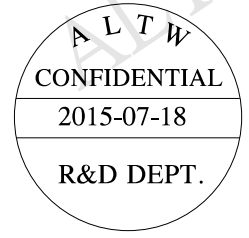
| | | | | |
|-----------|-----------|--|----------------|---------------------------------|
| UNIT: mm | | TITLE LARGE CABLE SCREW F CONN F PIN | | |
| TOLERANCE | ± 0.5 | SCALE 1:1 | SIZE A4 | SHEET 1 OF 2 |
| | | REV. A | WC-REV. A.1 | \varnothing : Inspection item |

Amphenol LTW
 安費諾亮泰企業股份有限公司

| | | |
|------------------------------|-----------------------|--------------------|
| ITEM NO. | DRAWN BY Jinhai | DATE 2015-07-18 |
| DWG NO. ADC-XXAFFM-SL7AXX | CHECKED BY Rensong | DATE 2015-07-18 |
| CUSTOMER ALTW | APPROVED BY Jerry | DATE 2015-07-18 |

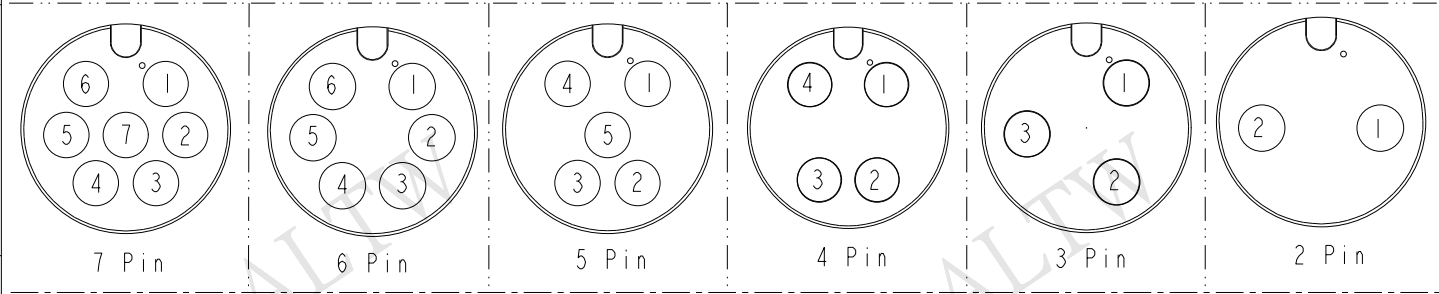
THIS DOCUMENT IS SUBJECT TO CHANGE WITHOUT NOTICE. IT IS CONFIDENTIAL AND A PROPERTY OF AMPHENOL LTW. DISCLOSURE TO THIRD PARTY HAS TO BE AUTHORIZED BY AMPHENOL LTW.

| REV. | ECN NO. | DATE | SIGN | DESCRIPTION |
|------|---------|------|------|-------------|
| | | | | |
| | | | | |
| | | | | |



| | | | | | |
|------------|------------|------------|------------|------------|------------|
| 7 Red 紅 | 6 Gray 灰 | 5 White 白 | 4 Orange 橙 | 3 Black 黑 | 2 Black 黑 |
| 6 Gray 灰 | 5 Yellow 黃 | 4 Brown 棕 | 3 Red 紅 | 2 Blue 藍 | 1 Red 紅 |
| 5 Yellow 黃 | 4 Green 綠 | 3 Blue 藍 | 2 Brown 棕 | 1 Brown 棕 | |
| 4 Green 綠 | 3 White 白 | 2 Black 黑 | 1 Black 黑 | | |
| 3 White 白 | 2 Blue 藍 | 1 Red 紅 | | | |
| 2 Blue 藍 | 1 Brown 棕 | | | | |
| 1 Brown 棕 | | | | | |
| Pin # Wire | Pin # Wire | Pin # Wire | Pin # Wire | Pin # Wire | Pin # Wire |

Pin Out



Pin Assignments Front View

| | | | | | | |
|---|---|---------------------|---|-------------------|--------------------------|--------------------|
| UNIT: mm TOLERANCE .X ±0.25 .XX ±0.1 .XXX ±0.05 ANGLES ±1° | TITLE LARGE CABLE SCREW F CONN F PIN | | Amphenol LTW 安費諾亮泰企業股份有限公司 | ITEM NO | DRAWN BY | DATE |
| | SCALE 1:1 | SIZE A4 | | SHEET 2 OF 2 | DWG NO ADC-XXAFFM-SL7AXX | CHECKED BY Rensong |
| REV. A | WC-REV. A.1 | QC: Inspection item | CUSTOMER ALTW | APPROVED BY Jerry | DATE 2015-07-18 | |