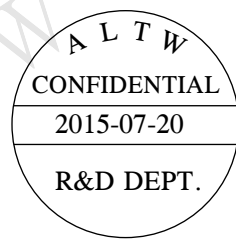
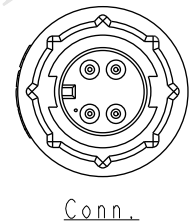
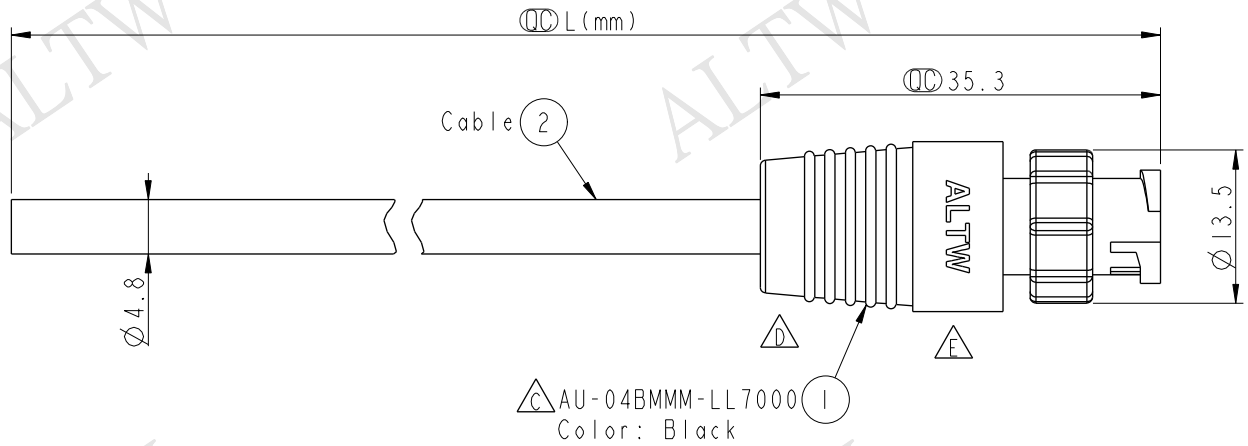


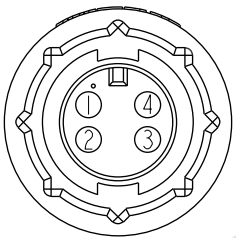
THIS DOCUMENT IS SUBJECT TO CHANGE WITHOUT NOTICE. IT IS CONFIDENTIAL AND A PROPERTY OF AMPHENOL LTW. DISCLOSURE TO THIRD PARTY HAS TO BE AUTHORIZED BY AMPHENOL LTW.

REV.	ECN NO.	DATE	SIGN	DESCRIPTION
C	LEN-040118	2010/04/14	Rex	Conn. Change
D	LEN1110658-661	2011/01/20	Vicky	Mini Size Molding 外觀變更
E	LEN1580066-069	2015/07/20	Vicky	Update Logo



AU-04BMMM-LL7AXX
 XX: 01~99Meters
 01: 01Meter
 02: 02Meters
 ...
 99: 99Meters
 Cable Length(L): 01~99Meters

- Note:
- * \varnothing Important Dimension
 - * Waterproof Rate: IP67
 - * Connector: Nylon+GF, Black
 - * Male Pin: Copper Alloy, Gold Plated
 - * Cable: UL2464 26AWG*4C+D+A, Black, PVC Jacket, UV Resistant, OD=4.8mm
 - * Cable Length Tolerance: 01M: ±40mm
 02M~05M: ±100mm
 06M~10M: ±100mm
 11M~30M: ±200mm
 31M~99M: ±500mm



Pin Assignments
Front View

4	White	白
3	Green	綠
2	Red	紅
1	Brown	棕
Conn.	Wire Color	
Δ	Pin Out	

UNIT:mm TOLERANCE ± 0.5 mm	TITLE Mini, Cable Lock 4P M Conn M Pin			Amphenol LTW 安費諾亮泰企業股份有限公司	ITEM NO	DRAWN BY Vicky	DATE 2015-07-20
	SCALE 3:2	SIZE A4	SHEET 1 OF 1		DWG NO AU-04BMMM-LL7AXX	CHECKED BY Rita	DATE 2015-07-20
	REV. E	WC-REV. A.1	\varnothing : Inspection item		CUSTOMER ALTW	APPROVED BY Lion	DATE 2015-07-20