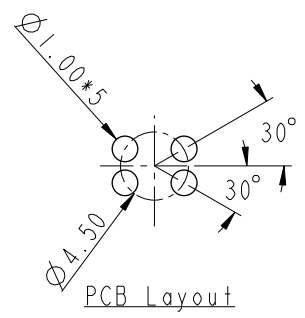
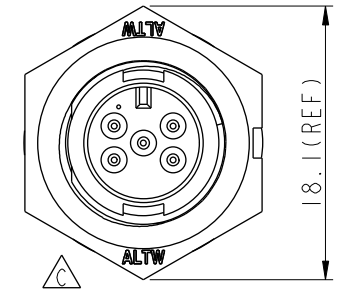
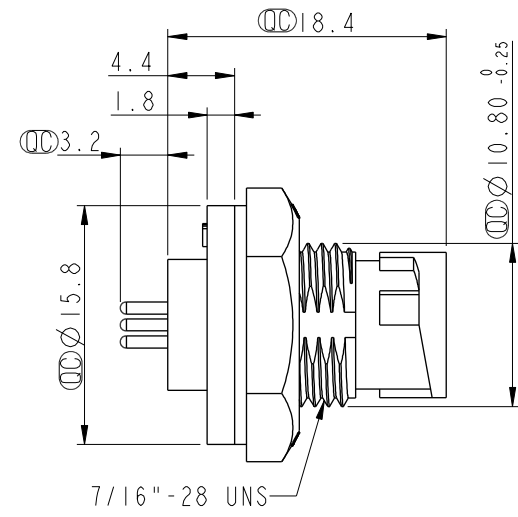
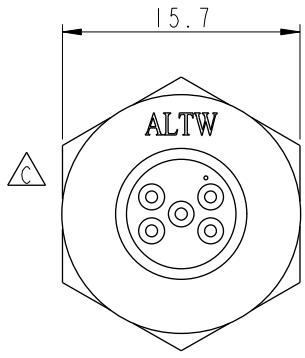
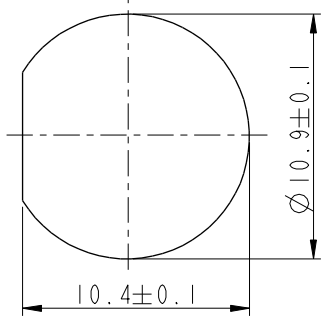


THIS DOCUMENT IS SUBJECT TO CHANGE WITHOUT NOTICE. IT IS CONFIDENTIAL AND A PROPERTY OF Amphenol LTW. DISCLOSURE TO THIRD PARTY HAS TO BE AUTHORIZED BY Amphenol LTW.

| REV. | ECN NO. | DATE | SIGN | DESCRIPTION |
|------|------------|------------|-------|--|
| B | LEN-8A0149 | 2008/09/15 | Shin | Add Notes and Change to New Drawing Format |
| C | LEN1640076 | 2016/03/30 | Vicky | Update Logo |
| D | CI90268 | 2019/02/19 | Ruru | Modify Note |

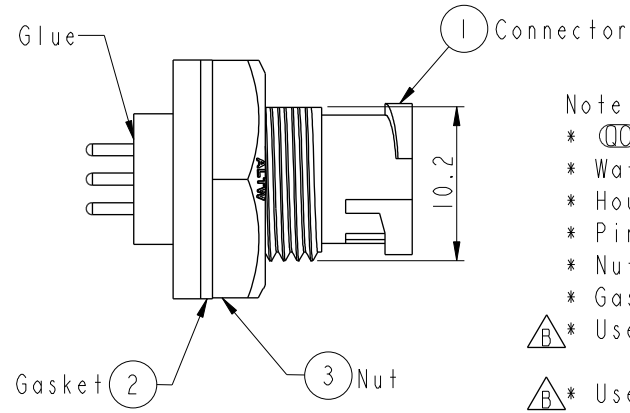


△B



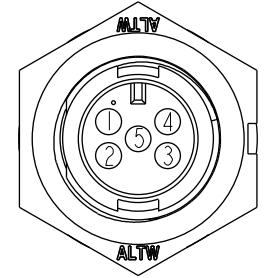
A L T W
CONFIDENTIAL
2019-02-19
R&D DEPT.

With Liquid Glue



Note: △D

- * (Ⓞ) Important Dimension
- * Waterproof Rate: IP67, Unmated
- * Housing: Thermoplastic, Black
- * Pin: Copper Alloy, Gold Plated
- * Nut: Thermoplastic, Black
- * Gasket: Rubber, Black
- △B * Use with waterproof cap or dust cap
Panel Thickness max: 2.5mm
- △B * Use without waterproof cap or dust cap
Panel Thickness max: 3.5mm
- * Gasket and Nut are packed separately in PE bags.



| | | |
|------------|----------|--|
| UNIT: mm | | |
| TOLERANCE | .X ±0.25 | |
| .XX ±0.1 | | |
| .XXX ±0.05 | | |
| ANGLES | ±1° | |

| | | |
|---|----------------|--------------------|
| TITLE Mini, Panel Lock 5Pin M Conn M Pin | | |
| SCALE 2:1 | SIZE A4 | SHEET 1 OF 1 |
| REV. D | WC-REV. A.2 | Ⓞ: Inspection item |

Amphenol LTW
安費諾亮泰企業股份有限公司

| | | |
|------------------------------|--------------------|--------------------|
| ITEM NO. AU-05PMMP-LC7001 | DRAWN BY Ruru | DATE 2019-02-19 |
| DWG NO. AU-05PMMP-LC7001 | CHECKED BY Rita | DATE 2019-02-19 |
| CUSTOMER ALTW | APPROVED BY Max | DATE 2019-02-19 |