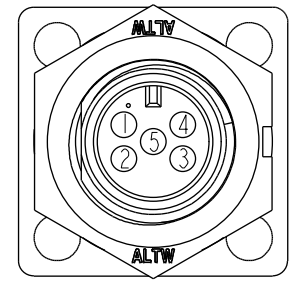
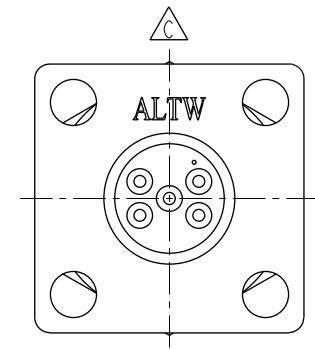
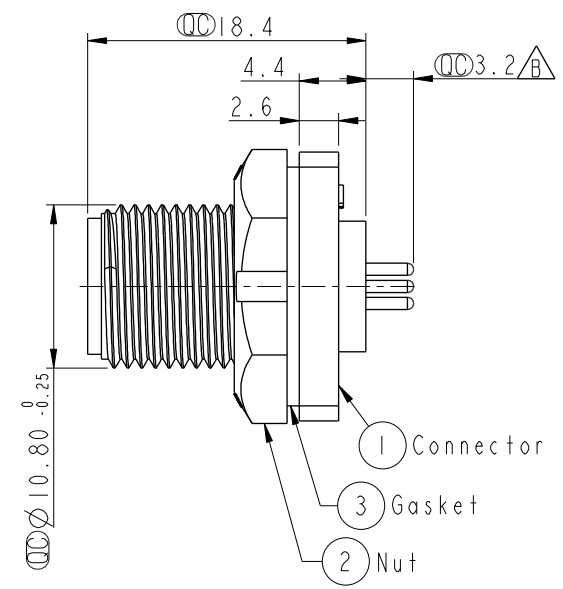
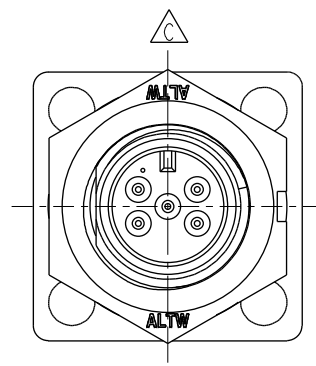
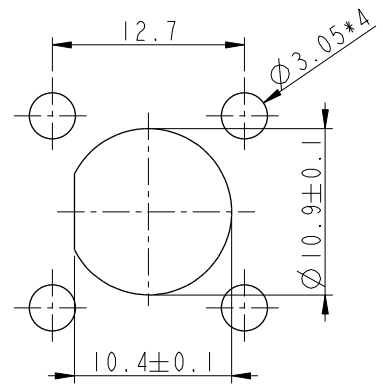
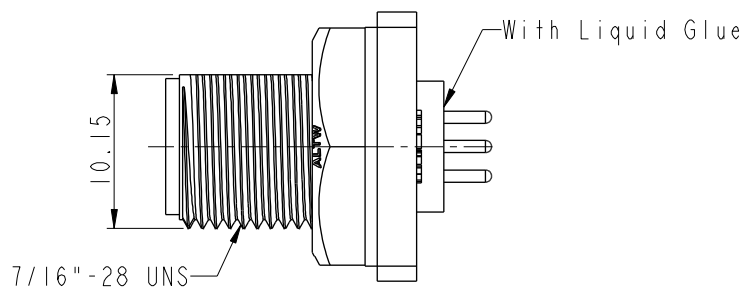
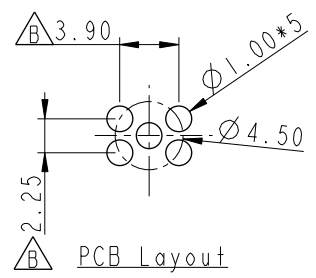
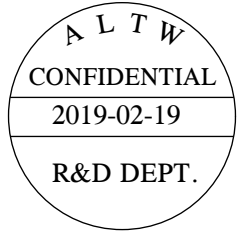


THIS DOCUMENT IS SUBJECT TO CHANGE WITHOUT NOTICE. IT IS CONFIDENTIAL AND A PROPERTY OF Amphenol LTW. DISCLOSURE TO THIRD PARTY HAS TO BE AUTHORIZED BY Amphenol LTW.

REV.	ECN NO.	DATE	SIGN	DESCRIPTION
B	LEN-880491	2008/07/18	Li Xiu Zhi	Change Dimension
C	LEN1640078	2016/03/30	Vicky	Update Logo
D	CI90268	2019/02/19	Ruru	Modify Note



Pin Assignments  
Front View

**△**Note:

- \* **⊘** Important Dimension
- \* Waterproof Rate: IP67, Unmated
- \* Housing: Thermoplastic, Black
- \* Pin: Copper Alloy, Gold Plated
- \* Nut: Thermoplastic, Black
- \* Gasket: Rubber, Black

- △B**\* Use with waterproof cap or dust cap  
For Panel Thickness Max: 4.0mm
- △B**\* Use without waterproof cap or dust cap  
For Panel Thickness Max: 5.0mm
- \* Gasket and Nut are packed separately  
in PE bags.

UNIT:mm		
TOLERANCE	.X ±0.25	
	.XX ±0.1	
	.XXX ±0.05	
ANGLES	±1°	

TITLE Mini Panel Screw 5Pin M Conn. M Pin			
SCALE 2:1	SIZE A4	SHEET 1 OF 1	
REV. D	WC-REV. A.2	<b>⊘</b> : Inspection item	

**Amphenol LTW**  
安費諾亮泰企業股份有限公司

ITEM NO. AU-05PMMP-SS7001	DRAWN BY Ruru	DATE 2019-02-19
DWG NO. AU-05PMMP-SS7001	CHECKED BY Rita	DATE 2019-02-19
CUSTOMER ALTW	APPROVED BY Max	DATE 2019-02-19